

## 599 Series 2-Way Ball Valves

### Description

The 599 Series two-way Ball Valves are coupled with OpenAir™ actuators to provide modified equal percentage flow control. The Ball Valves are 1/4-turn rotary control valves.


### Product Numbers

Use the product numbers in Table 1 or Table 2 to order a valve and actuator assembly. The product number consists of a 3-digit actuator prefix code, a hyphen, and a 5-digit valve body suffix code.

### Features


- Universal mounting plate
- Leak-proof shutoff
- Blow-out proof stem withstands high pressure
- Actuator and plate can be rotated
- Standoffs provide a thermal barrier between the actuator and the mounting plate
- Operating handle can manually operate valve

Table 1. Product Numbers Fail-In-Place Assemblies.

Valve Body Product Number *	Line Size Inches (mm)	Close-Off P in psi (kPa)	Cv (Kvs)	Fail-in-Place							
											
				Control & Actuator Prefix Code							
				3-Position				0 to 10 Vdc			
				GDE 131.1P	GLB 131.1P	GDE 131.1Q	GLB 131.1Q	GDE 161.1P	GLB 161.1P	GDE 161.1Q	GLB 161.1Q
				12-inch (.3m) Wires		Conduit Adapter & 6-foot (1.8m) Wires		12-inch (.3m) Wires		Conduit Adapter & 6-foot (1.8m) Wires	
171A	171B	173A	173B	171C	171D	173C	173D				
599-10203	1/2 (15)	130 (896)	0.4 (0.34)	171A-10203	173A-10203	171C-10203	173C-10203				
599-10204			0.63 (0.54)	171A-10204	173A-10204	171C-10204	173C-10204				
599-10205			1.6 (1.4)	171A-10205	173A-10205	171C-10205	173C-10205				
599-10206			2.5 (2.2)	171A-10206	173A-10206	171C-10206	173C-10206				
599-10207			4 (3.5)	171A-10207	173A-10207	171C-10207	173C-10207				
599-10208 *			10 (8.6)	171A-10208	173A-10208	171C-10208	173C-10208				
599-10209	3/4 (20)	130 (896)	10 (8.6)	171A-10209	173A-10209	171C-10209	173C-10209				
599-10210 *			25 (22)	171A-10210	173A-10210	171C-10210	173C-10210				
599-10211	1 (25)	100 (689)	10 (8.6)	171A-10211	173A-10211	171C-10211	173C-10211				
599-10212			25 (22)	171A-10212	173A-10212	171C-10212	173C-10212				
599-10213			16 (14)	171A-10213	173A-10213	171C-10213	173C-10213				
599-10214 *			63 (54)	171A-10214	173A-10214	171C-10214	173C-10214				
599-10215	1-1/4 (30)	100 (689)	16 (14)	171A-10215	173A-10215	171C-10215	173C-10215				
599-10216			40 (35)	171A-10216	173A-10216	171C-10216	173C-10216				
599-10217 *			100 (86)	171A-10217	173A-10217	171C-10217	173C-10217				
599-10218	1-1/2 (40)	70 (482)	25 (22)	171B-10218	173B-10218	171D-10218	173D-10218				
599-10219 *			63 (54)	171B-10219	173B-10219	171D-10219	173D-10219				
599-10220			40 (35)	171B-10220	173B-10220	171D-10220	173D-10220				
599-10221 *			160 (138)	171B-10221	173B-10221	171D-10221	173D-10221				
599-10222	2 (50)	70 (482)	40 (35)	171B-10222	173B-10222	171D-10222	173D-10222				
599-10223 *			100 (86)	171B-10223	173B-10223	171D-10223	173D-10223				
599-10224			63 (54)	171B-10224	173B-10224	171D-10224	173D-10224				
599-10225 *			250 (215)	171B-10225	173B-10225	171D-10225	173D-10225				

\*Denotes a full-port valve with no flow optimizer insert.

**Table 2. Product Number Fail Safe Assemblies.**

Valve Body Product Number *	Line Size Inches (mm)	Close-Off P in psi (kPa)	Cv (Kvs)	Fail-Safe***					
									
				Control & Actuator Prefix Code **					
				2-Position		3-Position		0 to 10 Vdc	
				GMA121.1P		GMA131.1U		GMA161.1P	
				N.O.	N.C.	N.O.	N.C.	N.O.	N.C.
171E	172E	171F	172F	171G	172G				
599-10203	1/2 (15)	130 (896)	0.4 (0.34)	171E-10203	172E-10203	171F-10203	172F-10203	171G-10203	172G-10203
599-10204			0.63 (0.54)	171E-10204	172E-10204	171F-10204	172F-10204	171G-10204	172G-10204
599-10205			1.6 (1.4)	171E-10205	172E-10205	171F-10205	172F-10205	171G-10205	172G-10205
599-10206			2.5 (2.2)	171E-10206	172E-10206	171F-10206	172F-10206	171G-10206	172G-10206
599-10207			4 (3.5)	171E-10207	172E-10207	171F-10207	172F-10207	171G-10207	172G-10207
599-10208 *			10 (8.6)	171E-10208	172E-10208	171F-10208	172F-10208	171G-10208	172G-10208
599-10209	3/4 (20)	130 (896)	10 (8.6)	171E-10209	172E-10209	171F-10209	172F-10209	171G-10209	172G-10209
599-10210 *			25 (22)	171E-10210	172E-10210	171F-10210	172F-10210	171G-10210	172G-10210
599-10211	1 (25)	100 (689)	10 (8.6)	171E-10211	172E-10211	171F-10211	172F-10211	171G-10211	172G-10211
599-10212			25 (22)	171E-10212	172E-10212	171F-10212	172F-10212	171G-10212	172G-10212
599-10213			16 (14)	171E-10213	172E-10213	171F-10213	172F-10213	171G-10213	172G-10213
599-10214 *			63 (54)	171E-10214	172E-10214	171F-10214	172F-10214	171G-10214	172G-10214
599-10215			16 (14)	171E-10215	172E-10215	171F-10215	172F-10215	171G-10215	172G-10215
599-10216			1-1/4 (30)	100 (689)	40 (35)	171E-10216	172E-10216	171F-10216	172F-10216
599-10217 *	100 (86)	171E-10217			172E-10217	171F-10217	172F-10217	171G-10217	172G-10217
599-10218	1-1/2 (40)	70 (482)	25 (22)	171E-10218	172E-10218	171F-10218	172F-10218	171G-10218	172G-10218
599-10219 *			63 (54)	171E-10219	172E-10219	171F-10219	172F-10219	171G-10219	172G-10219
599-10220			40 (35)	171E-10220	172E-10220	171F-10220	172F-10220	171G-10220	172G-10220
599-10221 *			160 (138)	171E-10221	172E-10221	171F-10221	172F-10221	171G-10221	172G-10221
599-10222			40 (35)	171E-10222	172E-10222	171F-10222	172F-10222	171G-10222	172G-10222
599-10223 *			100 (86)	171E-10223	172E-10223	171F-10223	172F-10223	171G-10223	172G-10223
599-10224	2 (50)	70 (482)	63 (54)	171E-10224	172E-10224	171F-10224	172F-10224	171G-10224	172G-10224
599-10225 *			250 (215)	171E-10225	172E-10225	171F-10225	172F-10225	171G-10225	172G-10225

\* Denotes a full-port valve with no flow optimizer insert.

\*\* When ordered as an assembly, the actuator is provided with 6-inch (152 mm) wires.

\*\*\*Fail-safe ball valve assemblies fail to A▶AB open and B▶AB closed.

## Typical Specifications

Ball valves shall have female NPT type fittings and shall be 1/2-inch to 2-inch (15 mm to 50-mm) line and ball sizes. The valves shall have a forged brass body, nickel-plated brass ball, and reinforced EPDM O-ring seals. Valves may contain a glass-filled polymer flow optimizer to provide a modified equal percentage control characteristic. This flow optimizer should be an integral part of the ball assembly. Ball valves shall utilize a 90-degree rotation for control. They shall provide automated flow control of hot or chilled water and up to 50% glycol solution for HVAC control applications.

## Technical Data

<b>Static Pressure</b>	360 psi (2482 kPa)	<b>Ball Seals</b>	Reinforced Teflon® seals with EPDM O-rings
<b>Media Temperature</b>	35°F to 250°F (2°C to 120°C)	<b>End Connections</b>	Female NPT
<b>Controlled Medium</b>	Water, glycol solutions to 50%	<b>Stem</b>	Brass
<b>Body</b>	Forged Brass ASTM B283	<b>Stem Seals</b>	EPDM O-rings
<b>Ball</b>	Nickel-plated brass ball	<b>Angle of Rotation</b>	0° to 90°
<b>Flow Optimizer</b>	Glass-filled polymer		

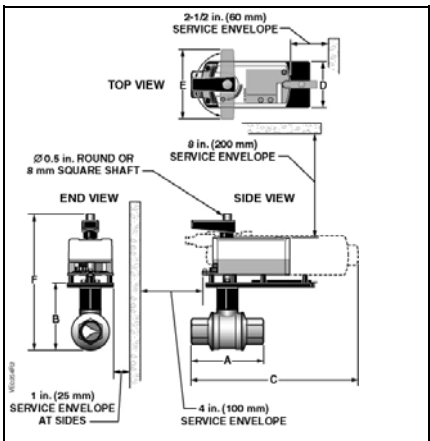
**Table 3. Two-Way, Full-Port (no Flow Optimizer) Ball Valve Product Numbers and Flow Coefficients.**

Valve Line Size in Inches (mm)	Valve Product Number	Effective (Installed) Cv (Kvs)									
		Supply Line Size in Inches (mm)									
		1/2 (13)	3/4 (20)	1 (25)	1-1/4 (32)	1-1/2 (38)	2 (51)	2-1/2 (63)	3 (76)	4 (102)	5 (127)
1/2 (15)	599-10208	10.00 (8.62)	6.94 (5.93)	6.19 (5.29)	—	—	—	—	—	—	—
3/4 (20)	599-10210	—	25.00 (21.55)	18.66 (15.95)	15.35 (13.12)	—	—	—	—	—	—
1 (25)	599-10214	—	—	63.00 (54.31)	39.78 (34.00)	33.56 (28.69)	—	—	—	—	—
1-1/4 (30)	599-10217	—	—	—	100.00 (86.21)	69.19 (59.13)	51.45 (43.98)	—	—	—	—
1-1/2 (40)	599-10219	—	—	—	—	63.00 (54.31)	55.34 (47.30)	51.00 (43.59)	—	—	—
	599-10221	—	—	—	—	160.00 (137.93)	93.80 (80.17)	76.34 (65.25)	—	—	—
2 (50)	599-10223	—	—	—	—	—	100.00 (86.21)	94.30 (80.60)	86.12 (73.61)	—	—
	599-10225	—	—	—	—	—	250.00 (215.52)	187.47 (160.23)	140.26 (119.88)	—	—

■ = Valve may be oversized. □ = Optimal valve size. ■ = Valve may be undersized.

**Table 4. Dimensions.**

Line Size In. (mm)	Product Number	A Length	C Length * Actuator Codes		B Height	F Height	Weight
			171A-D 173A-D	171E-G 172E-G			
1/2 (15)	599-10203 – 599-10208	2-3/8 (60)	6-7/16 (163)	7-1/16 (179)	3-7/16 (87)	8-1/8 (206)	1.0 (0.45)
3/4 (20)	599-10209, 599-10210	2-3/8 (60)	6-7/16 (163)	7-1/16 (179)	3-11/16 (94)	8-5/16 (211)	1.0 (0.45)
1 (25)	599-10211	2-3/4 (70)	6-5/8 (167)	7-1/4 (184)	3-11/16 (94)	8-5/16 (211)	1.0 (0.45)
	599-10213, 599-10214	3 (77)	6-3/4 (171)	7-3/8 (187)	4 (100)	8-11/16 (220)	1.4 (0.64)
	599-10212	4-1/4 (109)	7-7/16 (189)	8-1/16 (205)	4-1/2 (113)	8-7/8 (226)	2.4 (1.1)
1-1/4 (30)	599-10215	3 (76)	6-3/4 (171)	7-3/8 (187)	4 (100)	8-11/16 (220)	1.4 (0.64)
	599-10216, 599-10217	3-3/16 (81)	6-13/16 (173)	7-7/16 (189)	4-1/2 (113)	9-1/8 (231)	2.4 (1.1)
1-1/2 (40)	599-10218, 599-10219	3-7/16 (87)	6-15/16 (176)	7-9/16 (192)	4 (100)	9-1/8 (231)	2.4 (1.1)
	599-10220, 599-10221	3-3/4 (94)	7-1/16 (179)	7-11/16 (195)	5-3/16 (132)	8-7/8 (226)	3.2 (1.5)
2 (50)	599-10222, 599-10223	4 (101)	7-1/8 (183)	7-3/4 (196)	5-3/16 (132)	8-7/8 (226)	3.2 (1.5)
	599-10224, 599-10225	4-7/16 (112)	7-7/16 (189)	8-1/16 (205)	5-3/4 (146)	10-1/2 (266)	5.0 (2.3)



- All dimensions are in inches (mm) and weights are in pounds (kg).
- Stamping on valve body indicates the ball size, not necessarily the line size.
- Dimension "D", Depth, is 3 inches (76 mm).
- Dimension "E", Handle, is 4 inches (102 mm).

\*Dimension C is maximum length, measured from actuator, end fitting, or mounting plate, whichever extends the furthest.

Information in this publication is based on current specifications. The company reserves the right to make changes in specifications and models as design improvements are introduced. OpenAir is a trademark of Siemens Building Technologies, Inc. Teflon is a trademark of the Dupont Corporation. Other product or company names mentioned herein may be the trademarks of their respective owners. © 2005 Siemens Building Technologies, Inc.

**Siemens Building Technologies, Inc.**  
1000 Deerfield Parkway  
Buffalo Grove, IL 60089-4513  
U.S.A.

Your feedback is important to us. If you have comments about this document, please send them to [sbt\\_technical.editor@siemens.com](mailto:sbt_technical.editor@siemens.com)

Document No. 154-038  
Country of Origin: US  
**Page 3**

## 599 Series 3-Way Ball Valves

### Description

The 599 Series three-way Ball Valves are coupled with OpenAir™ actuators to provide modified equal percentage flow control. The Ball Valves are 1/4-turn rotary control valves.


### Product Numbers

Use the product numbers in Table 1 or Table 2 to order the valve and the actuator assembled together. The product number consists of a 3-digit prefix code, a hyphen, and a 5-digit suffix code. The prefix specifies an actuator. The suffix specifies the valve body.

### Features

- Universal mounting plate
- Leak-proof shutoff
- Blow-out proof stem withstands high pressure
- Actuator and plate can be rotated
- Standoffs provide a thermal barrier between the actuator and the mounting plate
- Operating handle can manually operate valve

**Table 1. Product Numbers for Fail-In-Place Assemblies.**

Valve Body Product Number *	Line Size Inches (mm)	Close-Off P in psi (kPa)	Cv (Kvs)	Fail-in-Place			
							
				Control & Actuator Prefix Code			
				3-Position		0 to 10 Vdc,	
GDE131.1P 171A	GLB131.1P 171B	GDE131.1Q 173A	GLB131.1Q 173B	GDE161.1P 171C	GLB161.1P 171D	GDE161.1Q 173C	GLB161.1Q 173D
12-inch (.3m) Wires		Conduit Adapter & 6-ft (1.8m) Wires		12-inch (.3m) Wires		Conduit Adapter & 6-ft (1.8m) Wires	
599-10250	1/2 (15)	50 (345)	0.4 (0.34)	171A-10250	173A-10250	171C-10250	173C-10250
599-10251			0.63 (0.54)	171A-10251	173A-10251	171C-10251	173C-10251
599-10252			1.0 (0.86)	171A-10252	173A-10252	171C-10252	173C-10252
599-10253			2.5 (2.2)	171A-10253	173A-10253	171C-10253	173C-10253
599-10254			4 (3.5)	171A-10254	173A-10254	171C-10254	173C-10254
599-10255 *	3/4 (20)	50 (345)	10 (8.6)	171A-10255	173A-10255	171C-10255	173C-10255
599-10256 *			16 (14)	171A-10256	173A-10256	171C-10256	173C-10256
599-10257	1 (25)	50 (345)	10 (8.6)	171A-10257	173A-10257	171C-10257	173C-10257
599-10258			16 (14)	171A-10258	173A-10258	171C-10258	173C-10258
599-10259 *			25 (22)	171A-10259	173A-10259	171C-10259	173C-10259
599-10260	1-1/4 (30)	40 (276)	16 (14)	171A-10260	173A-10260	171C-10260	173C-10260
599-10261 *			40 (35)	171A-10261	173A-10261	171C-10261	173C-10261
599-10262	1-1/2 (40)		16 (14)	171B-10262	173B-10262	171D-10262	173D-10262
599-10263			25 (22)	171B-10263	173B-10263	171D-10263	173D-10263
599-10264 *			63 (54)	171B-10264	173B-10264	171D-10264	173D-10264
599-10265	2 (50)		25 (22)	171B-10265	173B-10265	171D-10265	173D-10265
599-10266		40 (35)	171B-10266	173B-10266	171D-10266	173D-10266	
599-10267 *		100 (86)	171B-10267	173B-10267	171D-10267	173D-10267	

\* Denotes a full-port valve with no flow optimizer insert.


### Typical Specifications

Ball valves shall have female NPT type fittings and shall be 1/2 to 2-inch (15 to 50-mm) line and ball sizes. The valves shall have a forged brass body, nickel-plated brass ball, and EPDM O-ring seals. Valves may contain a glass-filled polymer flow optimizer to provide a modified equal percentage control characteristic. This flow optimizer should be an integral part of the ball assembly. Ball valves shall utilize a 90-degree rotation for control. They shall provide automated flow control of hot or chilled water and up to 50% glycol solution for HVAC control applications.

### Technical Data

<b>Static Pressure</b>	360 psi (2482 kPa)
<b>Controlled Medium and Temperature</b>	Water, glycol solutions to 50% 35°F to 250°F (2°C to 121°C)
<b>Body</b>	Forged Brass ASTM B283
<b>Flow Optimizer</b>	Glass-filled polymer
<b>Ball</b>	Nickel-plated brass ball
<b>Ball Seals</b>	Reinforced PTFE seals with EPDM O-rings
<b>Stem Seals</b>	EPDM O-rings
<b>Stem and Female End Connections</b>	Brass
<b>Angle of Rotation</b>	0 to 90°

**Table 2. Product Numbers for Fail-Safe Assemblies.**

Valve Body Product Number *	Line Size Inches (mm)	Close-Off P in psi (kPa)	Cv (Kvs)	Fail-Safe		
						
				Control & Actuator Prefix Code **		
				2-Position, GMA121.1P 171E	3-Position, GMA131.1U 171F	0 to 10 Vdc, GMA161.1P 171G
599-10250	1/2 (15)	50 (345)	0.4 (0.34)	171E-10250	171F-10250	171G-10250
599-10251			0.63 (0.54)	171E-10251	171F-10251	171G-10251
599-10252			1.0 (0.86)	171E-10252	171F-10252	171G-10252
599-10253			2.5 (2.2)	171E-10253	171F-10253	171G-10253
599-10254			4 (3.5)	171E-10254	171F-10254	171G-10254
599-10255 *	3/4 (20)	50 (345)	10 (8.6)	171E-10255	171F-10255	171G-10255
599-10256 *			16 (14)	171E-10256	171F-10256	171G-10256
599-10257			10 (8.6)	171E-10257	171F-10257	171G-10257
599-10258	1 (25)	50 (345)	16 (14)	171E-10258	171F-10258	171G-10258
599-10259 *			25 (22)	171E-10259	171F-10259	171G-10259
599-10260	1-1/4 (30)	40 (276)	16 (14)	171E-10260	171F-10260	171G-10260
599-10261 *			40 (35)	171E-10261	171F-10261	171G-10261
599-10262	1-1/2 (40)	40 (276)	16 (14)	171E-10262	171F-10262	171G-10262
599-10263			25 (22)	171E-10263	171F-10263	171G-10263
599-10264 *			63 (54)	171E-10264	171F-10264	171G-10264
599-10265	2 (50)	40 (276)	25 (22)	171E-10265	171F-10265	171G-10265
599-10266			40 (35)	171E-10266	171F-10266	171G-10266
599-10267 *			100 (86)	171E-10267	171F-10267	171G-10267

\* Denotes a full-port valve with no flow optimizer insert.

\*\* When ordered as an assembly, the actuator is provided with 6-inch (152mm) wires.

**Table 2. 3-Way, Full-Port (no Flow Optimizer) Ball Valve Product Numbers and Flow Coefficients.**

Valve Line Size in Inches (mm)	Valve Product Number	Effective (Installed) Cv (Kvs)										
		Supply Line Size in Inches (mm)										
		1/2 (13)	3/4 (20)	1 (25)	1-1/4 (32)	1-1/2 (38)	2 (51)	2-1/2 (63)	3 (76)	4 (102)	5 (127)	6 (152)
1/2 (15)	599-10255	10.00 (8.62)	6.94 (5.93)	6.19 (5.29)	--	--	--	--	--	--	--	--
3/4 (20)	599-10256	--	16.00 (13.79)	13.9 (11.98)	12.4 (10.69)	--	--	--	--	--	--	--
1 (25)	599-10259	--	--	25.00 (21.55)	22.5 (19.40)	21.2 (18.27)	--	--	--	--	--	--
1-1/4 (30)	599-10261	--	--	--	40.00 (34.48)	36.9 (31.81)	33.3 (28.70)	--	--	--	--	--
1-1/2 (40)	599-10264	--	--	--	--	63.00 (54.31)	55.3 (47.67)	51.00 (43.96)	--	--	--	--
2 (50)	599-10267	--	--	--	--	--	100 (86.21)	94.3 (81.29)	86.1 (74.23)	--	--	--

■ = Valve may be oversized. □ = Optimal valve size. ■ = Valve may be undersized.

**Table 3. Dimensions.**

Line Size In. (mm)	Product Number	A Length	C Length * for Actuator Codes 171A-D Codes 173A-D	C Length * for Actuator Codes 171E-G	B Height	G Height	F Height	Weight
1/2 (15)	599-10250 through 599-10255	3-1/2 (89)	7 (178)	7-5/8 (194)	3-1/4 (83)	2-3/8 (60)	9-3/8 (238)	1.60 (0.73)
3/4 (20)	599-10256	2-3/4 (70)	6-1/2 (165)	7-1/8 (181)	3-1/4 (83)	2 (51)	8-3/4 (222)	1.64 (0.74)
1 (25)	599-10257	3 (76)	6-3/4 (171)	7-3/8 (187)	3-3/4 (95)	2-1/2 (64)	9-3/4 (248)	2.26 (1.03)
	599-10258	4-1/2 (114)	7-3/4 (197)	8-3/8 (213)	4 (102)	3-1/4 (83)	10-3/4 (273)	3.56 (1.61)
	599-10259	4-1/2 (114)	7-3/4 (197)	8-3/8 (213)	4 (102)	3-1/4 (83)	10-3/4 (273)	3.56 (1.61)
1-1/4 (30)	599-10260	3-5/8 (91)	7-1/4 (184)	7-7/8 (200)	4 (102)	2-3/4 (70)	10-1/4 (260)	3.50 (1.59)
	599-10261	3-5/8 (91)	7-1/4 (184)	7-7/8 (200)	4 (102)	2-3/4 (70)	10-1/4 (260)	3.50 (1.59)
1-1/2 (40)	599-10262	4-1/2 (114)	7-3/4 (197)	8-3/8 (213)	4 (102)	3-1/4 (83)	10-3/4 (273)	3.56 (1.61)
	599-10263	4 (102)	7-1/4 (184)	7-7/8 (200)	4-1/2 (114)	3-1/4 (83)	11 (279)	5.16 (2.34)
	599-10264	4 (102)	7-1/4 (184)	7-7/8 (200)	4-1/2 (114)	3-1/4 (83)	11 (279)	5.16 (2.34)
2 (50)	599-10265	4 (102)	7-1/4 (184)	7-7/8 (200)	4-1/2 (114)	3-1/4 (83)	11 (279)	5.16 (2.34)
	599-10266	5 (127)	7-3/4 (197)	8-3/8 (213)	5-3/4 (146)	3-3/4 (95)	12-1/4 (311)	8.50 (3.86)
	599-10267	5 (127)	7-3/4 (197)	8-3/8 (213)	5-3/4 (146)	3-3/4 (95)	12-1/4 (311)	8.50 (3.86)

\* Dimension "C" is maximum length, measured from the actuator, end fitting, or mounting plate, whichever extends the furthest.

Information in this publication is based on current specifications. The company reserves the right to make changes in specifications and models as design improvements are introduced. Other product or company names mentioned herein may be the trademarks of their respective owners. © 2005 Siemens Building Technologies, Inc.