

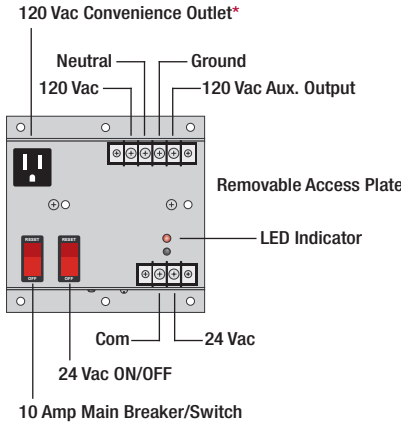
PSC40AB10

AC POWER SUPPLY
Enclosed Single 40 VA Power Supply, 120 to 24 Vac

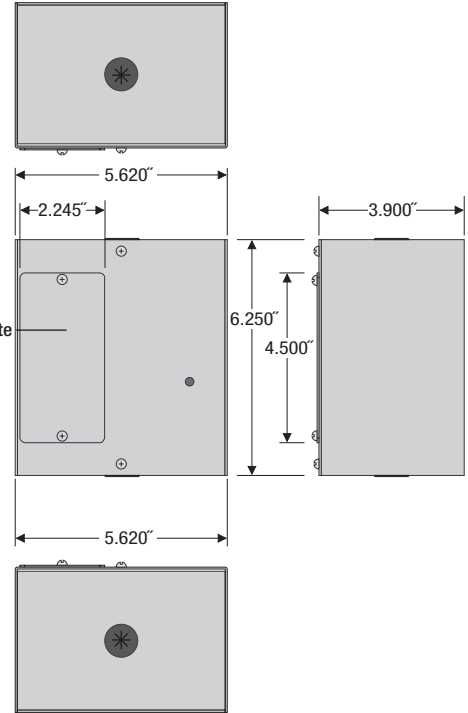


SPECIFICATIONS

- Transformer:** One 40 VA Split-Bobbin, Inherently Limited
- Primary:** 120 Vac
- Secondary:** 24 Vac, w/ LED Indicator
- Frequency:** 50/60 Hz
- 24 Vac ON/OFF:** On / Off Switch
- Main Breaker ON/OFF:** Switch / Breaker (10 Amp) (Kills power to entire unit: Outlet, Aux. Output, and Transformer)* Total Combined Output 9A
- Mounting:** Mounting plate included (as shown)
- Approvals:** Class II UL Listed, UL916, C-UL, CE, RoHS
- Dimensions:** 6.250" x 5.620" x 4.250"
- Weight:** 4.40 lbs.



- Notes:**
- *Move internal jumper to "HOT" position if you wish outlets to always be hot otherwise outlets will be switched by main breaker.
 - To order without enclosure, see PSB40AB10.



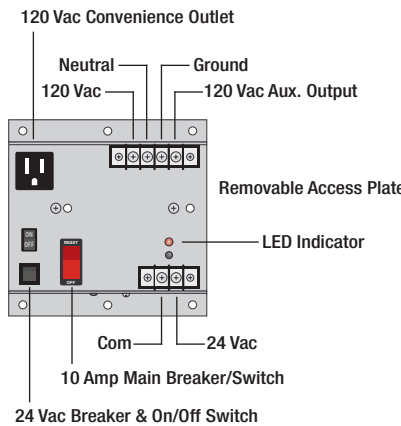
PSC100AB10

AC POWER SUPPLY
Enclosed Single 100 VA Power Supply, 120 to 24 Vac

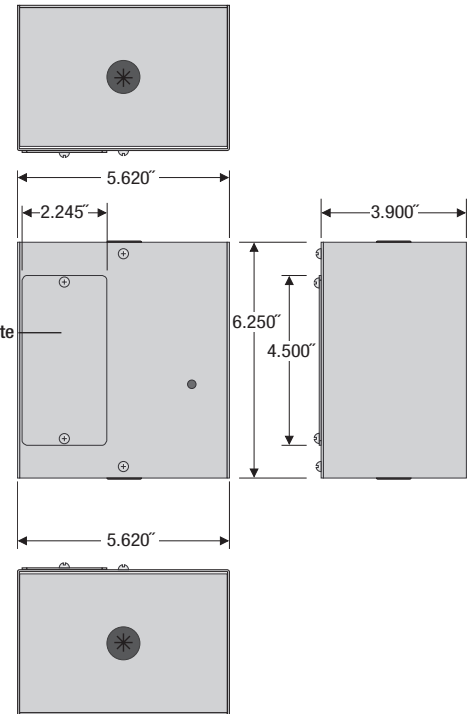


SPECIFICATIONS

- Transformer:** One 100 VA Split-Bobbin, Circuit Breaker
- Primary:** 120 Vac
- Secondary:** 24 Vac, w/ LED Indicator
- Frequency:** 50/60 Hz
- 24 Vac ON/OFF:** On / Off Switch & Breaker
- Main Breaker ON/OFF:** Switch / Breaker (10 Amp) (Kills power to entire unit: Outlet, Aux. Output, and Transformer) Total Combined Output 9A
- Mounting:** Mounting plate included (as shown)
- Approvals:** Class II UL Listed, UL916, C-UL, CE, RoHS
- Dimensions:** 6.250" x 5.620" x 4.250"
- Weight:** 5.80 lbs.



- Notes:**
- To order without enclosure, see PSB100AB10.



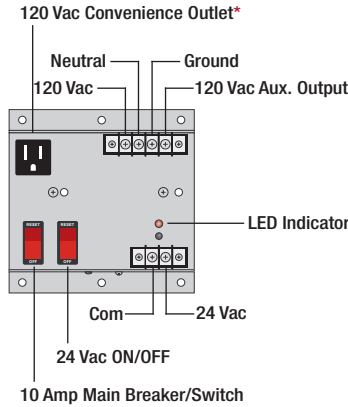
PSB40AB10

AC POWER SUPPLY
Panel Mount 40 VA Power Supply, 120 to 24 Vac

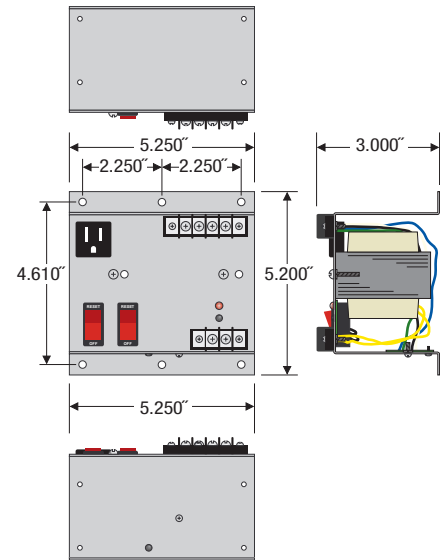


SPECIFICATIONS

- Transformer: One 40 VA Split-Bobbin
- Primary: 120 Vac
- Secondary: 24 Vac, w/ LED Indicator
- Frequency: 50/60 Hz
- Over Current Protection: Inherently Limited
- 24 Vac ON/OFF: On / Off Switch
- Main Breaker ON/OFF: **Switch / Breaker (10 Amp)**
(Kills power to entire unit: Outlet, Aux. Output, and Transformer)*
Total Combined Output 9A
- Mounting: Panel mount
- Approvals: Class II UL Listed, UL916, C-UL, CE, RoHS
- Dimensions: 5.200" x 5.250" x 3.750"
- Weight: 2.18 lbs.



Notes:
» *Move internal jumper to "HOT" position if you wish outlets to always be hot otherwise outlets will be switched by main breaker.



PSB100AB10

AC POWER SUPPLY
Panel Mount 100 VA Power Supply, 120 to 24 Vac

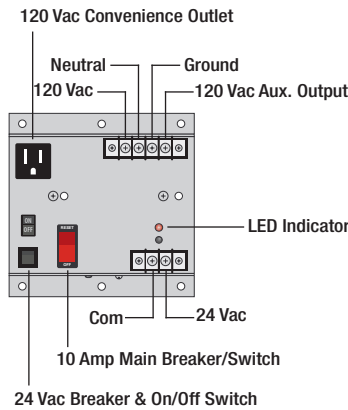


Available with Terminal Cover as Model PSB100AB10-TC

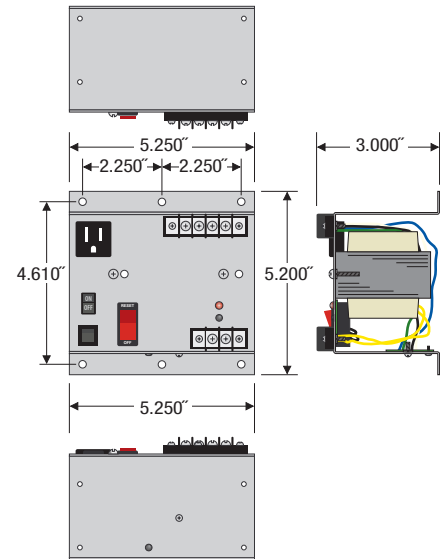


SPECIFICATIONS

- Transformer: One 100 VA Split-Bobbin
- Primary: 120 Vac
- Secondary: 24 Vac, w/ LED Indicator
- Frequency: 50/60 Hz
- Over Current Protection: Circuit Breaker
- 24 Vac ON/OFF: On / Off Switch & Breaker
- Main Breaker ON/OFF: **Switch / Breaker (10 Amp)**
(Kills power to entire unit: Outlet, Aux. Output, and Transformer)*
Total Combined Output 9A
- Mounting: Panel mount
- Approvals: Class II UL Listed, UL916, C-UL, CE, RoHS
- Dimensions: 5.200" x 5.250" x 3.750"
- Weight: 3.58 lbs.



24 Vac Breaker & On/Off Switch



PSMN40AS

AC POWER SUPPLY
2.75" or 3.25" Track Mount 40 VA Power Supply, 120 to 24 Vac, with Switch



SPECIFICATIONS

- Transformers: One 40 VA
- Primary: 120 Vac
- Secondary: 24 Vac, isolated
- Frequency: 50/60 Hz
- Overload Protection: Inherently limited
- Operating Temperature: -30 to 140° F
- Status: LED On = Activated
- Dimensions: 2.000" x 2.750" x 3.250"
- Track Mount: 2.750"
- MT212-4 Mounting Track Supplied
- Weight: 1.60 lbs.
- ON/OFF Switch: 2 Position Toggle
- Approvals: Class II UL Listed, UL916, C-UL, CE, RoHS

