



Power Supplies: AC & DC

These general-purpose power supplies can be used to fulfill all the 120Vac, 24Vac (Class 2), and 24Vdc power requirements needed inside a building automation (BAS) panel, in addition to on/off control, equipment overcurrent protection, power indication, high/low voltage separation, and convenience outlets. They are also useful for many applications outside of BAS. They range in power output from 40VA to 500VA for the A/C outputs and 300 milli-amps to 1 Amp for the D/C outputs. There are a variety of mounting options including panel/track-mount (models with PSM and PSB prefix) and self-contained NEMA 1 for mounting inside or outside of panels (models with PSH, PSC, and PSP prefix). Most models are UL Listed and CE approved.



AC Power Supplies

Quick Reference Chart. For Details See Spec Page.

MODEL #		TRANSFORMER(S)	INPUT POWER	HEIGHT	WIDTH	DEPTH	WEIGHT	NOTES	SPEC PAGE
PSM40AB10		40 VA	120 Vac	6.250"	5.620"	4.250"	4.40 lbs.	*	108
PSM100AB10		100 VA	120 Vac	6.250"	5.620"	4.250"	5.80 lbs.	*	108
PSH40A SERIES		40 VA	120 Vac	4.500"	5.438"	4.500"	3.10 lbs.	*	109
PSH75A SERIES		75 VA	Multi-Tap Δ	4.500"	5.438"	4.500"	4.50 lbs.	*	109
PSH100A SERIES		100 VA	120 Vac	4.500"	5.438"	4.500"	4.60 lbs.	*	110
PSH40A40A SERIES		40 VA, 40 VA	120 Vac, 120 Vac	4.500"	8.625"	4.500"	5.40 lbs.	*	110
PSH40A75A SERIES		40 VA, 75 VA	120 Vac, Multi-Tap Δ	4.500"	8.625"	4.500"	6.80 lbs.	*	111
PSH40A100A SERIES		40 VA, 100 VA	120 Vac, 120 Vac	4.500"	8.625"	4.500"	6.90 lbs.	*	111
PSH75A75A SERIES		75 VA, 75 VA	Multi-Tap, Multi-Tap Δ	4.500"	8.625"	4.500"	8.40 lbs.	*	112
PSH75A100A SERIES		75 VA, 100 VA	Multi-Tap Δ, 120 Vac	4.500"	8.625"	4.500"	8.50 lbs.	*	112
PSH100A100A SERIES		100VA, 100VA	120 Vac, 120 Vac	4.500"	8.625"	4.500"	8.60 lbs.	*	113
PSH500A		500 VA w/ five 100 VA Outputs	480/277/240/120 Vac	12.125"	12.125"	6.000"	30.16 lbs.		113
PSH300A		300 VA w/ three 100 VA Outputs	480/277/240/120 Vac	12.125"	12.125"	6.000"	18.08 lbs.		114
PSMN500A		500 VA w/ five 100 VA Outputs	480/277/240/120 Vac	11.330"	11.400"	5.000"	20.60 lbs.		116
PSMN300A		300 VA w/ three 100 VA Outputs	480/277/240/120 Vac	11.330"	11.400"	4.500"	12.38 lbs.		114
PSB40AB10		40 VA	120 Vac	5.200"	5.250"	3.750"	2.18 lbs.	*	115
PSB100AB10		100 VA	120 Vac	5.200"	5.250"	3.750"	3.58 lbs.	*	115
PSMN40AS		40 VA	120 Vac	3.250"	2.750"	2.000"	1.60 lbs.		115

DC Power Supplies

Quick Reference Chart. For Details See Spec Page.

MODEL #		VOLTAGE INPUT	VOLTAGE OUTPUT	OUTPUT CURRENT	ON/OFF SWITCH	HEIGHT	WIDTH	DEPTH	WEIGHT	NOTES	SPEC PAGE
PSP24DA		24 Vac	Adjustable 1.5-28 Vdc ; Non-Isolated	300 mA		2.300"	3.200"	1.800"	.30 lbs.		116
PSMN24DA		24 Vac	Adjustable 1.5-28 Vdc ; Non-Isolated	300 mA		1.750"	2.750"	1.500"	.20 lbs.		117
PSMN24DAS		24 Vac	Adjustable 1.5-28 Vdc ; Non-Isolated	300 mA	•	1.750"	2.750"	1.500"	.20 lbs.		117
PSM20A12DAS		24 Vac	Adjustable 1.5-12 Vdc ; Isolated	300 mA	•	4.000"	2.750"	1.625"	1.10 lbs.	NEW	117
PSM24A24DAS		24 Vac	Adjustable 1.5-28 Vdc ; Isolated	300 mA	•	4.000"	2.750"	1.625"	1.10 lbs.		118
PSM19A24DAS		120 Vac	Adjustable 1.5-28 Vdc ; Isolated	300 mA	•	4.000"	2.750"	1.625"	1.10 lbs.		118
PSMN40A24DS		120 Vac	Fixed 24 Vdc ; Isolated	1 Amp	•	5.000"	2.750"	2.000"	1.50 lbs.		118

= Class II UL Listed ; UL916 Energy Management ; USA & Canada

Δ = 480/277/240/208/120 Vac

* = See Application Note 17 on page 156



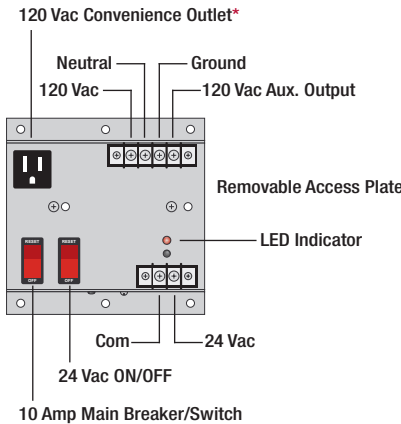
PSC40AB10

AC POWER SUPPLY
Enclosed Single 40 VA Power Supply, 120 to 24 Vac

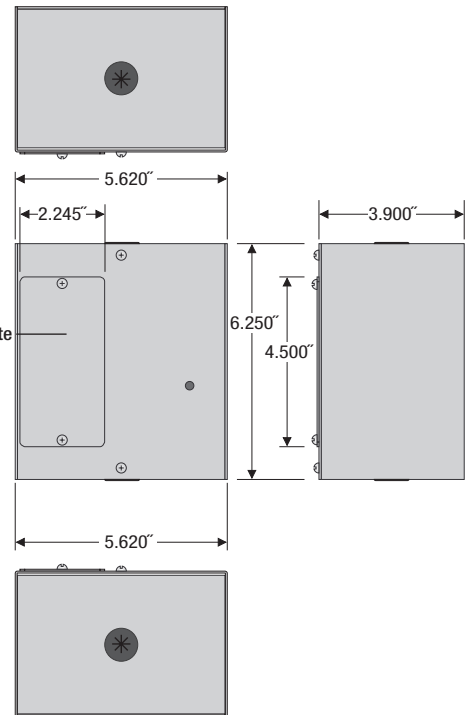


SPECIFICATIONS

- Transformer:** One 40 VA Split-Bobbin, Inherently Limited
- Primary:** 120 Vac
- Secondary:** 24 Vac, w/ LED Indicator
- Frequency:** 50/60 Hz
- 24 Vac ON/OFF:** On / Off Switch
- Main Breaker ON/OFF:** Switch / Breaker (10 Amp) (Kills power to entire unit: Outlet, Aux. Output, and Transformer)* Total Combined Output 9A
- Mounting:** Mounting plate included (as shown)
- Approvals:** Class II UL Listed, UL916, C-UL, CE, RoHS
- Dimensions:** 6.250" x 5.620" x 4.250"
- Weight:** 4.40 lbs.



- Notes:**
- *Move internal jumper to "HOT" position if you wish outlets to always be hot otherwise outlets will be switched by main breaker.
 - To order without enclosure, see PSB40AB10.



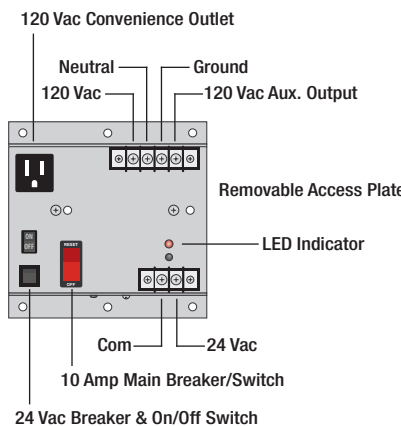
PSC100AB10

AC POWER SUPPLY
Enclosed Single 100 VA Power Supply, 120 to 24 Vac

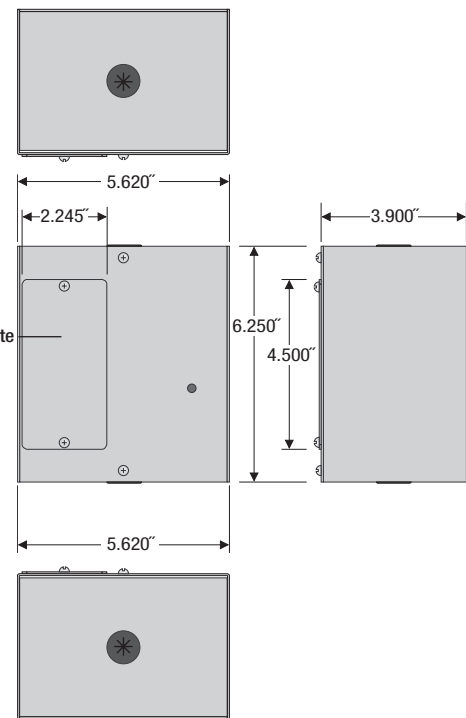


SPECIFICATIONS

- Transformer:** One 100 VA Split-Bobbin, Circuit Breaker
- Primary:** 120 Vac
- Secondary:** 24 Vac, w/ LED Indicator
- Frequency:** 50/60 Hz
- 24 Vac ON/OFF:** On / Off Switch & Breaker
- Main Breaker ON/OFF:** Switch / Breaker (10 Amp) (Kills power to entire unit: Outlet, Aux. Output, and Transformer) Total Combined Output 9A
- Mounting:** Mounting plate included (as shown)
- Approvals:** Class II UL Listed, UL916, C-UL, CE, RoHS
- Dimensions:** 6.250" x 5.620" x 4.250"
- Weight:** 5.80 lbs.



- Notes:**
- To order without enclosure, see PSB100AB10.



PSH40A SERIES

AC POWER SUPPLY
Enclosed Single 40 VA Power Supplies, 120 to 24 Vac



SPECIFICATIONS

Transformer: One 40 VA Split-Bobbin
Over Current Protection: Circuit Breaker

Input Wires: **"B10" Models Only**
Input Power Wires
BLK: 120 Vac
WHT: Neutral
GRN: Ground

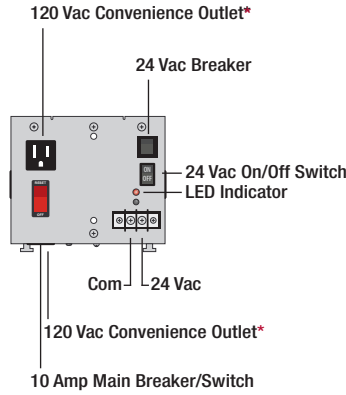
All Other Models
Primary Wires
BLK: 120 Vac
WHT: Common
GRN: Ground

Outlet Wires
BLK: 120 Vac
WHT: Neutral
GRN: Ground

Output Wires: **"B10" Models Only**
Auxiliary Output
BLU: 120 Vac

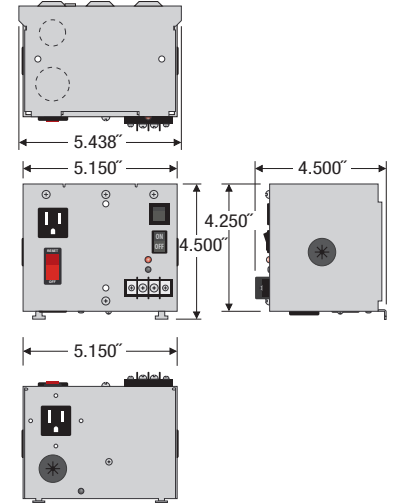
"W" Models Only
Transformer Output
WHT/YEL: 24 Vac
WHT/BLU: Common

Frequency: 50/60 Hz
24 Vac ON/OFF: On / Off Switch & Breaker
Main Breaker ON/OFF: **Switch / Breaker (10 Amp)**
(Kills power to entire unit: Outlets, Aux. Output, and Transformer)*
Total Combined Output 9A
Approvals: Class II UL Listed, UL916, C-UL, CE, RoHS
Dimensions: 4.500" x 5.438" x 4.500"
Weight: 3.100 lbs.



Notes:

» *Move internal jumper to "HOT" position if you wish outlets to always be hot otherwise outlets will be switched by main breaker.



PSH40A SERIES SELECTION GUIDE

MODEL #	120 VAC OUTLETS	AUX OUTPUT WIRE	MAIN BREAKER ON INPUT POWER	SECONDARY CONFIGURATION
PSH40A	•			External Terminal Strip
PSH40AN				External Terminal Strip
PSH40ANW				Internal Wires
PSH40AW	•			Internal Wires
PSH40AB10*	•	•	10 Amp Switch / Breaker	External Terminal Strip
PSH40ANB10	•	•	10 Amp Switch / Breaker	External Terminal Strip
PSH40ANWB10	•	•	10 Amp Switch / Breaker	Internal Wires
PSH40AWB10*	•	•	10 Amp Switch / Breaker	Internal Wires

PSH75A SERIES

AC POWER SUPPLY
Enclosed Single 75 VA Power Supplies, 480/277/240/208/120 to 24 Vac



SPECIFICATIONS

Transformer: One 75 VA Split-Bobbin
Over Current Protection: Circuit Breaker

Input Wires: **"B10" Models Only**
Input Power Wires
BLK: 120 Vac
WHT: Neutral
GRN: Ground

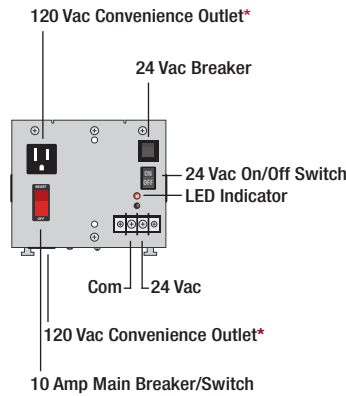
All Other Models
Primary Wires
GRY: 480 Vac
BRN: 277 Vac
ORG: 240 Vac
RED: 208 Vac
WHT: 120 Vac
BLK: Common

Outlet Wires
BLK: 120 Vac
WHT: Neutral
GRN: Ground

Output Wires: **"B10" Models Only**
Auxiliary Output
BLU: 120 Vac

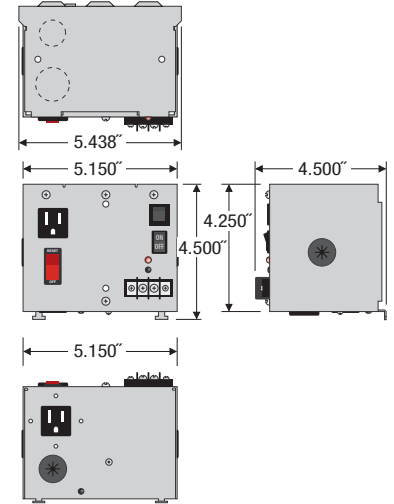
"W" Models Only
Transformer Output
WHT/YEL: 24 Vac
WHT/BLU: Common

Frequency: 50/60 Hz
24 Vac ON/OFF: On / Off Switch & Breaker
Main Breaker ON/OFF: **Switch / Breaker (10 Amp)**
(Kills power to entire unit: Outlets, Aux. Output, and Transformer)*
Total Combined Output 9A
Approvals: Class II UL Listed, UL916, C-UL, CE, RoHS
Dimensions: 4.500" x 5.438" x 4.500"
Weight: 4.500 lbs.



Notes:

» *Move internal jumper to "HOT" position if you wish outlets to always be hot otherwise outlets will be switched by main breaker.



PSH75A SERIES SELECTION GUIDE

MODEL #	120 VAC OUTLETS	AUX OUTPUT WIRE	MAIN BREAKER ON INPUT POWER	SECONDARY CONFIGURATION
PSH75A	•			External Terminal Strip
PSH75AN				External Terminal Strip
PSH75ANW				Internal Wires
PSH75AW	•			Internal Wires
PSH75AB10*	•	•	10 Amp Switch / Breaker	External Terminal Strip
PSH75ANB10	•	•	10 Amp Switch / Breaker	External Terminal Strip
PSH75ANWB10	•	•	10 Amp Switch / Breaker	Internal Wires
PSH75AWB10*	•	•	10 Amp Switch / Breaker	Internal Wires



PSH100A SERIES

AC POWER SUPPLY
Enclosed Single 100 VA Power Supplies, 120 to 24 Vac



SPECIFICATIONS

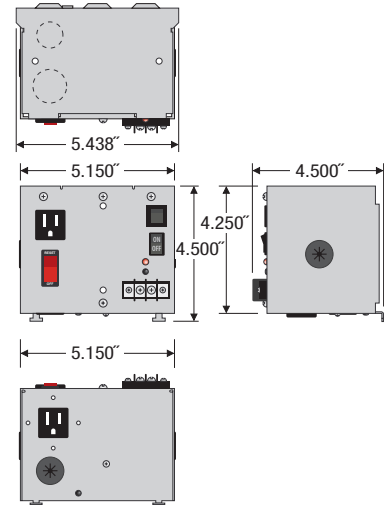
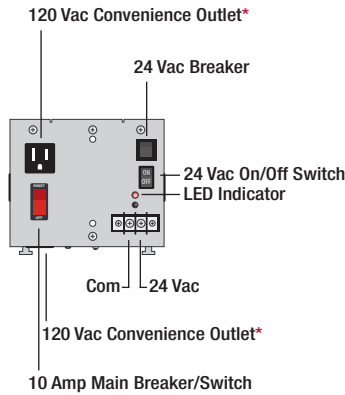
Transformer: One 100 VA Split-Bobbin
Over Current Protection: Circuit Breaker

Input Wires: "B10" Models Only
Input Power Wires
BLK: 120 Vac
WHT: Neutral
GRN: Ground

All Other Models Outlet Wires
Primary Wires
BLK: 120 Vac
WHT: Neutral
GRN: Common

Output Wires: "B10" Models Only "W" Models Only
Auxiliary Output Transformer Output
BLU: 120 Vac WHT/YEL: 24 Vac
WHT/BLU: Common

Frequency: 50/60 Hz
24 Vac ON/OFF: On / Off Switch & Breaker
Main Breaker ON/OFF: Switch / Breaker (10 Amp)
(Kills power to entire unit: Outlets, Aux. Output, and Transformer)*
Total Combined Output 9A
Approvals: Class II UL Listed, UL916, C-UL, CE, RoHS
Dimensions: 4.500" x 5.438" x 4.500"
Weight: 4.600 lbs.



Notes:
» *Move internal jumper to "HOT" position if you wish outlets to always be hot otherwise outlets will be switched by main breaker.

PSH100A Series Selection Guide

MODEL #	120 VAC OUTLETS	AUX OUTPUT WIRE	MAIN BREAKER ON INPUT POWER	SECONDARY CONFIGURATION
PSH100A	•			External Terminal Strip
PSH100AN				External Terminal Strip
PSH100ANW				Internal Wires
PSH100AW	•			Internal Wires
PSH100AB10*	•	•	10 Amp Switch / Breaker	External Terminal Strip
PSH100ANB10		•	10 Amp Switch / Breaker	External Terminal Strip
PSH100ANWB10		•	10 Amp Switch / Breaker	Internal Wires
PSH100AWB10*	•	•	10 Amp Switch / Breaker	Internal Wires

PSH40A40A SERIES

AC POWER SUPPLY
Enclosed Dual 40 VA Power Supplies, 120 to 24 Vac



SPECIFICATIONS

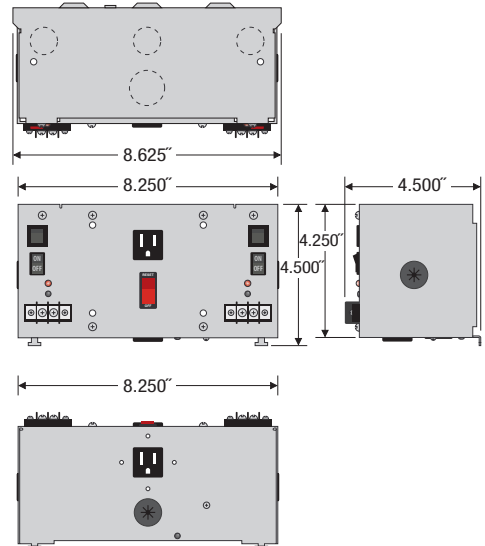
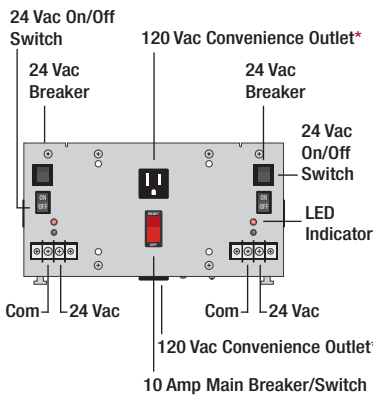
Transformer: Two 40 VA Split-Bobbin
Over Current Protection: Circuit Breaker

Input Wires: "B10" Models Only
Input Power Wires
BLK: 120 Vac
WHT: Neutral
GRN: Ground

All Other Models Outlet Wires
Primary Wires
BLK: 120 Vac
WHT: Neutral
GRN: Ground

Output Wires: "B10" Models Only "W" Models Only
Auxiliary Output Transformer Output
BLU: 120 Vac WHT/YEL: 24 Vac
WHT/BLU: Common

Frequency: 50/60 Hz
24 Vac ON/OFF: On / Off Switch & Breaker
Main Breaker ON/OFF: Switch / Breaker (10 Amp)
(Kills power to entire unit: Outlets, Aux. Output, and Transformer)*
Total Combined Output 9A
Approvals: Class II UL Listed, UL916, C-UL, CE, RoHS
Dimensions: 4.500" x 8.625" x 4.500"
Weight: 5.400 lbs.



Notes:
» *Move internal jumper to "HOT" position if you wish outlets to always be hot otherwise outlets will be switched by main breaker.

PSH40A40A Series Selection Guide

MODEL #	120 VAC OUTLETS	AUX OUTPUT WIRE	MAIN BREAKER ON INPUT POWER	SECONDARY CONFIGURATION
PSH40A40A	•			External Terminal Strip
PSH40A40AN				External Terminal Strip
PSH40A40ANW				Internal Wires
PSH40A40AW	•			Internal Wires
PSH40A40AB10*	•	•	10 Amp Switch / Breaker	External Terminal Strip
PSH40A40ANB10		•	10 Amp Switch / Breaker	External Terminal Strip
PSH40A40ANWB10		•	10 Amp Switch / Breaker	Internal Wires
PSH40A40AWB10*	•	•	10 Amp Switch / Breaker	Internal Wires



PSH40A75A SERIES

AC POWER SUPPLY

Enclosed 40 VA (120 to 24 Vac) and 75 VA (Multi-Tap to 24 Vac) Power Supplies



SPECIFICATIONS

Transformer: One 40 VA and One 75 VA Split-Bobbin
Over Current Protection: Circuit Breaker

Input Wires: "B10" Models Only

Input Power Wires
 BLK: 120 Vac
 WHT: Neutral
 GRN: Ground

All Other Models

<u>40 VA Primary Wires</u>	<u>75 VA Primary Wires</u>
BLK: 120 Vac	GRY: 480 Vac
WHT: Common	BRN: 277 Vac
<u>Outlet Wires</u>	ORG: 240 Vac
BLK: 120 Vac	RED: 208 Vac
WHT: Neutral	WHT: 120 Vac
GRN: Ground	BLK: Common

Output Wires: "B10" Models Only

Auxiliary Output
 BLU: 120 Vac

"W" Models Only

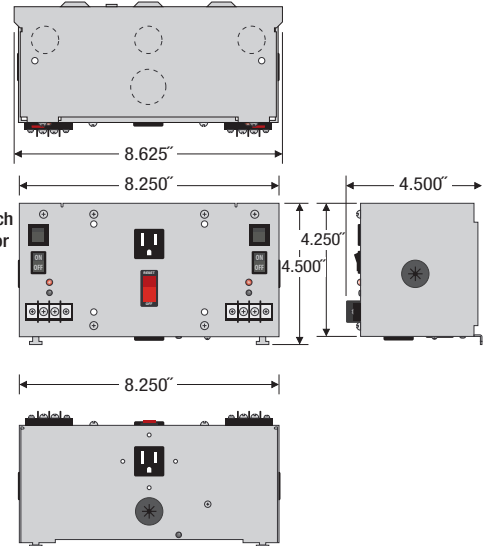
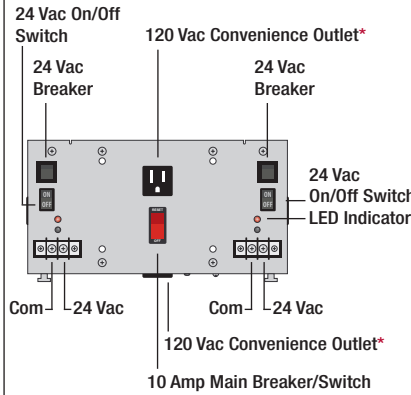
Transformer Output
 WHT/YEL: 24 Vac
 WHT/BLU: Common

Frequency: 50/60 Hz

24 Vac ON/OFF: On / Off Switch & Breaker: 75 VA
 On / Off Switch: 40VA

Main Breaker ON/OFF: Switch / Breaker (10 Amp)
 (Kills power to entire unit: Outlets, Aux. Output, and Transformer)*
 Total Combined Output 9A

Approvals: Class II UL Listed, UL916, C-UL, CE, RoHS
Dimensions: 4.500" x 8.625" x 4.500"
Weight: 6.800 lbs.



Notes:

» *Move internal jumper to "HOT" position if you wish outlets to always be hot otherwise outlets will be switched by main breaker.

PSH40A75A Series Selection Guide

MODEL #	120 VAC OUTLETS	AUX OUTPUT WIRE	MAIN BREAKER ON INPUT POWER	SECONDARY CONFIGURATION
PSH40A75A	•			External Terminal Strip
PSH40A75AN				External Terminal Strip
PSH40A75ANW				Internal Wires
PSH40A75AW	•			Internal Wires
PSH40A75AB10*	•	•	10 Amp Switch / Breaker	External Terminal Strip
PSH40A75ANB10		•	10 Amp Switch / Breaker	External Terminal Strip
PSH40A75ANWB10		•	10 Amp Switch / Breaker	Internal Wires
PSH40A75AWB10*	•	•	10 Amp Switch / Breaker	Internal Wires

PSH40A100A SERIES

AC POWER SUPPLY

Enclosed 40 VA and 100 VA Power Supplies, 120 to 24 Vac



SPECIFICATIONS

Transformer: One 40 VA and One 100 VA Split-Bobbin
Over Current Protection: Circuit Breaker

Input Wires: "B10" Models Only

Input Power Wires
 BLK: 120 Vac
 WHT: Neutral
 GRN: Ground

All Other Models

<u>Primary Wires</u>	<u>Outlet Wires</u>
BLK: 120 Vac	BLK: 120 Vac
WHT: Common	WHT: Neutral
	GRN: Ground

Output Wires: "B10" Models Only

Auxiliary Output
 BLU: 120 Vac

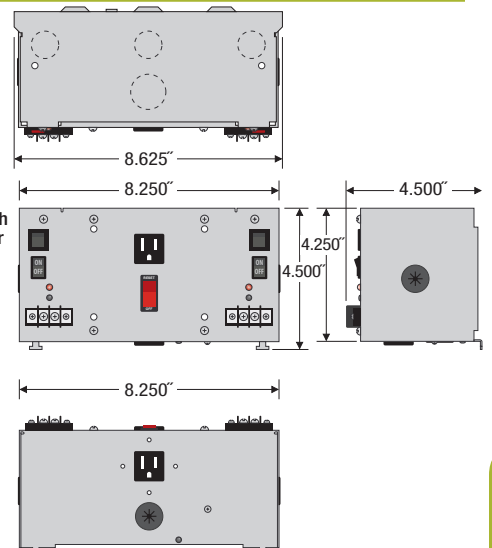
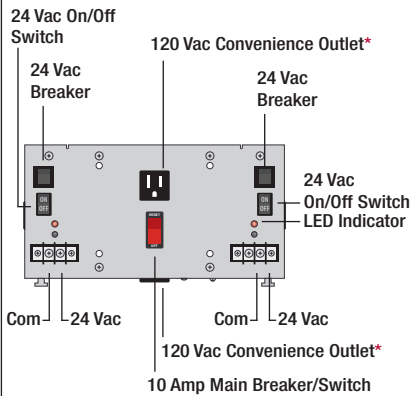
"W" Models Only
Transformer Output
 WHT/YEL: 24 Vac
 WHT/BLU: Common

Frequency: 50/60 Hz

24 Vac ON/OFF: On / Off Switch & Breaker

Main Breaker ON/OFF: Switch / Breaker (10 Amp)
 (Kills power to entire unit: Outlets, Aux. Output, and Transformer)*
 Total Combined Output 9A

Approvals: Class II UL Listed, UL916, C-UL, CE, RoHS
Dimensions: 4.500" x 8.625" x 4.500"
Weight: 6.900 lbs.



Notes:

» *Move internal jumper to "HOT" position if you wish outlets to always be hot otherwise outlets will be switched by main breaker.

PSH40A100A Series Selection Guide

MODEL #	120 VAC OUTLETS	AUX OUTPUT WIRE	MAIN BREAKER ON INPUT POWER	SECONDARY CONFIGURATION
PSH40A100A	•			External Terminal Strip
PSH40A100AN				External Terminal Strip
PSH40A100ANW				Internal Wires
PSH40A100AW	•			Internal Wires
PSH40A100AB10*	•	•	10 Amp Switch / Breaker	External Terminal Strip
PSH40A100ANB10		•	10 Amp Switch / Breaker	External Terminal Strip
PSH40A100ANWB10		•	10 Amp Switch / Breaker	Internal Wires
PSH40A100AWB10*	•	•	10 Amp Switch / Breaker	Internal Wires



PSH75A75A SERIES

AC POWER SUPPLY
Enclosed Dual 75 VA Power Supplies, 480/277/240/208/120 to 24 Vac



SPECIFICATIONS

Transformer: Two 75 VA Split-Bobbin
Over Current Protection: Circuit Breaker
Input Wires: "B10" Models Only
Input Power Wires
BLK: 120 Vac
WHT: Neutral
GRN: Ground

All Other Models

Primary Wires
GRY: 480 Vac
BRN: 277 Vac
ORG: 240 Vac
RED: 208 Vac
WHT: 120 Vac
BLK: Common

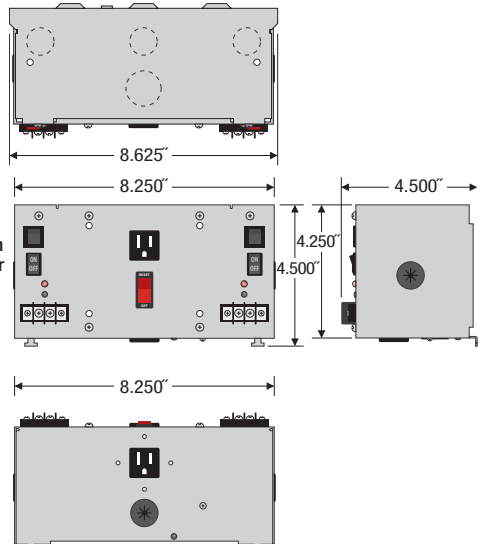
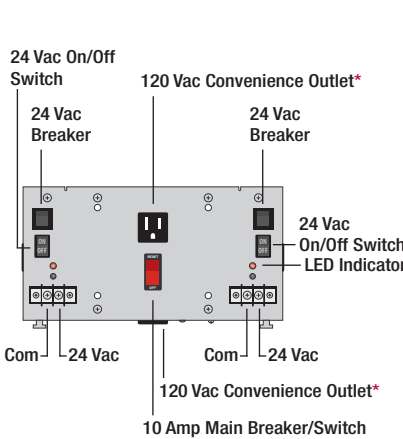
Outlet Wires
BLK: 120 Vac
WHT: Neutral
GRN: Ground

Output Wires: "B10" Models Only
Auxiliary Output
BLU: 120 Vac

"W" Models Only
Transformer Output
WHT/YEL: 24 Vac
WHT/BLU: Common

Frequency: 50/60 Hz
24 Vac ON/OFF: On / Off Switch & Breaker
Main Breaker ON/OFF: Switch / Breaker (10 Amp)
(Kills power to entire unit: Outlets, Aux. Output, and Transformer)*
Total Combined Output 9A

Approvals: Class II UL Listed, UL916, C-UL, CE, RoHS
Dimensions: 4.500" x 8.625" x 4.500"
Weight: 8.400 lbs.



Notes:
» *Move internal jumper to "HOT" position if you wish outlets to always be hot otherwise outlets will be switched by main breaker.

PSH75A75A Series Selection Guide

MODEL #	120 VAC OUTLETS	AUX OUTPUT WIRE	MAIN BREAKER ON INPUT POWER	SECONDARY CONFIGURATION
PSH75A75A	•			External Terminal Strip
PSH75A75AN				External Terminal Strip
PSH75A75ANW				Internal Wires
PSH75A75AW	•			Internal Wires
PSH75A75AB10*	•	•	10 Amp Switch / Breaker	External Terminal Strip
PSH75A75ANB10		•	10 Amp Switch / Breaker	External Terminal Strip
PSH75A75ANWB10		•	10 Amp Switch / Breaker	Internal Wires
PSH75A75AWB10*	•	•	10 Amp Switch / Breaker	Internal Wires

PSH75A100A SERIES

AC POWER SUPPLY
Enclosed 75 VA (Multi-Tap to 24 Vac) and 100 VA (120 to 24 Vac) Power Supplies



SPECIFICATIONS

Transformer: One 75 VA and One 100 VA Split-Bobbin
Over Current Protection: Circuit Breaker

Input Wires: "B10" Models Only
Input Power Wires
BLK: 120 Vac
WHT: Neutral
GRN: Ground

All Other Models

75 VA Primary Wires
GRY: 480 Vac
BRN: 277 Vac
ORG: 240 Vac
RED: 208 Vac
WHT: 120 Vac
BLK: Common

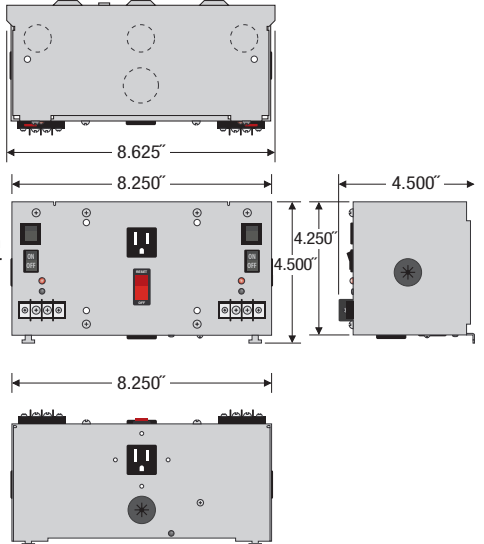
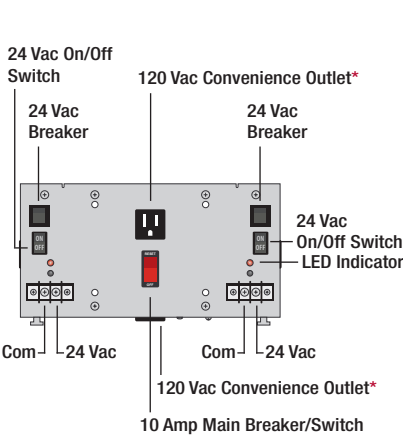
100 VA Primary Wires
BLK: 120 Vac
WHT: Common
Outlet Wires
BLK: 120 Vac
WHT: Neutral
GRN: Ground

Output Wires: "B10" Models Only
Auxiliary Output
BLU: 120 Vac

"W" Models Only
Transformer Output
WHT/YEL: 24 Vac
WHT/BLU: Common

Frequency: 50/60 Hz
24 Vac ON/OFF: On / Off Switch & Breaker
Main Breaker ON/OFF: Switch / Breaker (10 Amp)
(Kills power to entire unit: Outlets, Aux. Output, and Transformer)*
Total Combined Output 9A

Approvals: Class II UL Listed, UL916, C-UL, CE, RoHS
Dimensions: 4.500" x 8.625" x 4.500"
Weight: 8.500 lbs.



Notes:
» *Move internal jumper to "HOT" position if you wish outlets to always be hot otherwise outlets will be switched by main breaker.

PSH75A100A Series Selection Guide

MODEL #	120 VAC OUTLETS	AUX OUTPUT WIRE	MAIN BREAKER ON INPUT POWER	SECONDARY CONFIGURATION
PSH75A100A	•			External Terminal Strip
PSH75A100AN				External Terminal Strip
PSH75A100ANW				Internal Wires
PSH75A100AW	•			Internal Wires
PSH75A100AB10*	•	•	10 Amp Switch / Breaker	External Terminal Strip
PSH75A100ANB10		•	10 Amp Switch / Breaker	External Terminal Strip
PSH75A100ANWB10		•	10 Amp Switch / Breaker	Internal Wires
PSH75A100AWB10*	•	•	10 Amp Switch / Breaker	Internal Wires



PSH100A100A SERIES

AC POWER SUPPLY
Enclosed Dual 100 VA Power Supplies, 120 to 24 Vac



SPECIFICATIONS

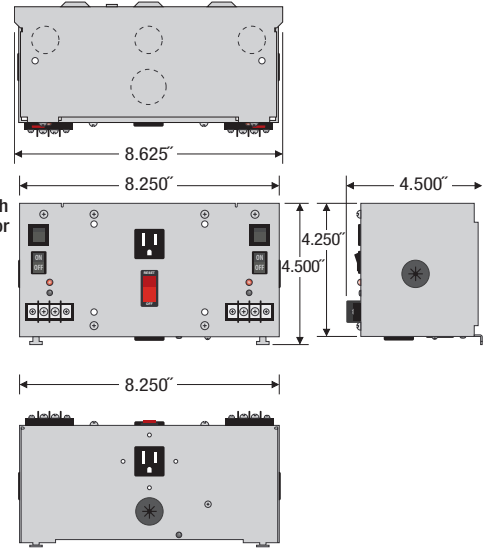
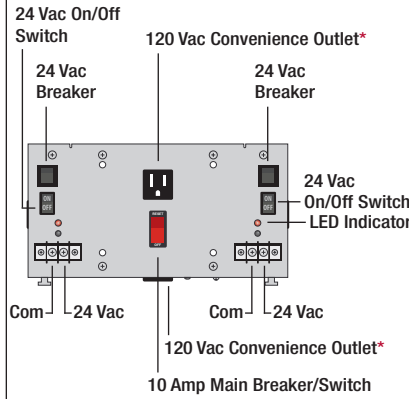
Transformer: Two 100 VA Split-Bobbin
Over Current Protection: Circuit Breaker

Input Wires: "B10" Models Only
Input Power Wires
BLK: 120 Vac
WHT: Neutral
GRN: Ground

All Other Models **Outlet Wires**
Primary Wires
BLK: 120 Vac
WHT: Neutral
GRN: Ground

Output Wires: "B10" Models Only **"W" Models Only**
Auxiliary Output **Transformer Output**
BLU: 120 Vac WHT/YEL: 24 Vac
WHT/BLU: Common

Frequency: 50/60 Hz
24 Vac ON/OFF: On / Off Switch & Breaker
Main Breaker ON/OFF: Switch / Breaker (10 Amp)
(Kills power to entire unit: Outlets, Aux. Output, and Transformer)*
Approvals: Class II UL Listed, UL916, C-UL, CE, RoHS
Dimensions: 4.500" x 8.625" x 4.500"
Weight: 8.600 lbs.



Notes:
» *Move internal jumper to "HOT" position if you wish outlets to always be hot otherwise outlets will be switched by main breaker.

PSH100A100A Series Selection Guide

MODEL #	120 VAC OUTLETS	AUX OUTPUT WIRE	MAIN BREAKER ON INPUT POWER	SECONDARY CONFIGURATION
PSH100A100A	•			External Terminal Strip
PSH100A100AN				External Terminal Strip
PSH100A100ANW				Internal Wires
PSH100A100AW	•			Internal Wires
PSH100A100AB10*	•	•	10 Amp Switch / Breaker	External Terminal Strip
PSH100A100ANB10		•	10 Amp Switch / Breaker	External Terminal Strip
PSH100A100ANWB10		•	10 Amp Switch / Breaker	Internal Wires
PSH100A100AWB10*	•	•	10 Amp Switch / Breaker	Internal Wires

PSH500A

AC POWER SUPPLY
Enclosed 500VA Power Supply with Five 100VA Class II Outputs, 480/277/240/120 Vac to 24 Vac



5 Secondaries:
24 Vac, with LED Indicators

24 Vac ON/OFF:
On / Off Switch & Breaker

Input:
480/277/240/120 Vac Terminals, 10-26 AWG

Output:
5 Isolated 100 VA Class II 24 Vac Terminals, 12-26 AWG

Ambient Temperature Derating:
4A up to 40° C ; 3A up to 50° C ; 2A up to 55° C
(When All 5 Outputs Operated Simultaneously)

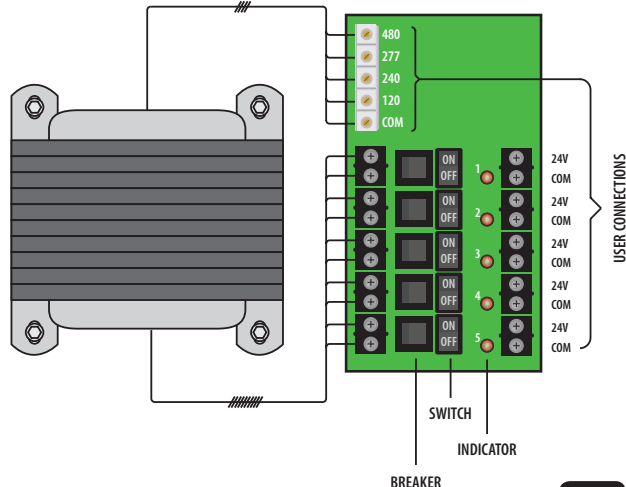
Standby Wattage:
48.515 W @ 120 Vac
48.699 W @ 240 Vac
49.564 W @ 277 Vac
48.255 W @ 480 Vac

Full Load Primary Current:
4.66 A @ 120 Vac
2.41 A @ 240 Vac
2.06 A @ 277 Vac
1.17 A @ 480 Vac

SPECIFICATIONS

Transformer: One (1) 500 VA
Over Current Protection: Circuit Breaker
Primary: 480/277/240/120 Vac
Frequency: 50/60 Hz
Dimensions: 12.125" x 12.125" x 6.000"
Approvals: Class II UL Listed, UL916, C-UL, CE, RoHS
Housing: NEMA1 Metal Enclosure
Weight: 30.16 lbs.

Notes:
» May order MH3100-M1 and PSMN500A separately.



PSH300A

AC POWER SUPPLY

Enclosed 300VA Power Supply with Three 100VA Class II Outputs, 480/277/240/120 Vac to 24 Vac

Shown With Cover



Shown Without Cover



3 Secondaries:
24 Vac, with LED Indicators

24 Vac ON/OFF:
On / Off Switch & Breaker

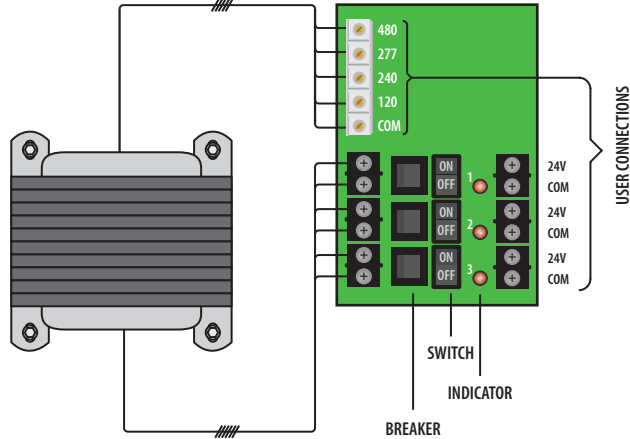
Input:
480/277/240/120 Vac Terminals, 10-26 AWG

Output:
3 Isolated 100 VA Class II 24 Vac Terminals, 12-26 AWG

Standby Wattage:
16.61 W @ 120 Vac
17.70 W @ 240 Vac
16.26 W @ 277 Vac
19.20 W @ 480 Vac

Full Load Primary Current:
2.66 A @ 120 Vac
1.36 A @ 240 Vac
1.18 A @ 277 Vac
0.68 A @ 480 Vac

Ambient Temperature Derating:
4A up to 40° C ; 3A up to 50° C ; 2A up to 55° C
(When All 3 Outputs Operated Simultaneously)



SPECIFICATIONS

- Transformer:** One (1) 300 VA
- Over Current Protection:** Circuit Breaker
- Primary:** 480/277/240/120 Vac
- Frequency:** 50/60 Hz
- Dimensions:** 12.125" x 12.125" x 6.000"
- Approvals:** Class II UL Listed, UL916, C-UL, CE, RoHS
- Housing:** NEMA1 Metal Enclosure
- Weight:** 18.08 lbs.

Notes:
» May order MH3100-M1 and PSMN300A separately.

PSMN300A

AC POWER SUPPLY

Sub-Panel Mounted 300VA Power Supply with Three 100VA Class II Outputs, 480/277/240/120 Vac to 24 Vac

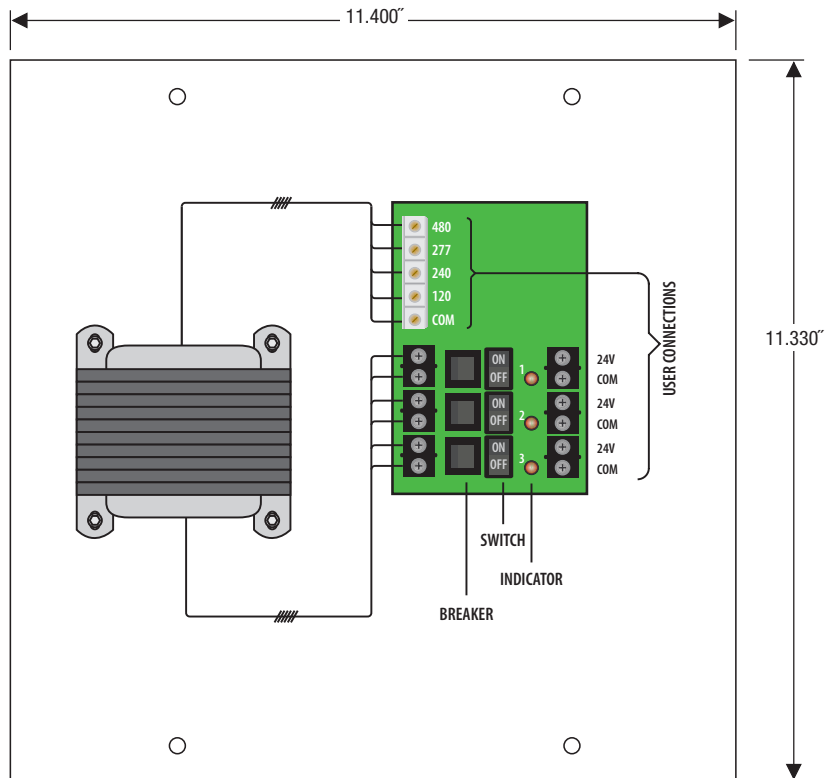


SPECIFICATIONS

- Transformer:** One (1) 300 VA
- Over Current Protection:** Circuit Breaker
- Frequency:** 50/60 Hz
- Primary:** 480/277/240/120 Vac
- 3 Secondaries:** 24 Vac, with LED Indicators
- 24 Vac ON/OFF:** On / Off Switch & Breaker
- Dimensions:** 11.330" x 11.400" x 4.500"
- Approvals:** Class II UL Listed, UL916, C-UL, CE, RoHS
- Sub-Panel:** Plenum Rated Polymetal Sub-Panel
- Weight:** 12.38 lbs.
- Input:** 480/277/240/120 Vac Terminals, 10-26 AWG
- Output:** 3 Isolated 100 VA Class II 24 Vac Terminals, 12-26 AWG

Ambient Temperature Derating:
4A up to 40° C ; 3A up to 50° C ; 2A up to 55° C
(When All 3 Outputs Operated Simultaneously)

Standby Wattage:	Full Load Primary Current:
16.61 W @ 120 Vac	2.66 A @ 120 Vac
17.70 W @ 240 Vac	1.36 A @ 240 Vac
16.26 W @ 277 Vac	1.18 A @ 277 Vac
19.20 W @ 480 Vac	0.68 A @ 480 Vac



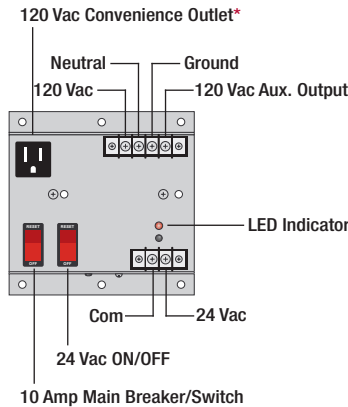
PSB40AB10

AC POWER SUPPLY
Panel Mount 40 VA Power Supply, 120 to 24 Vac

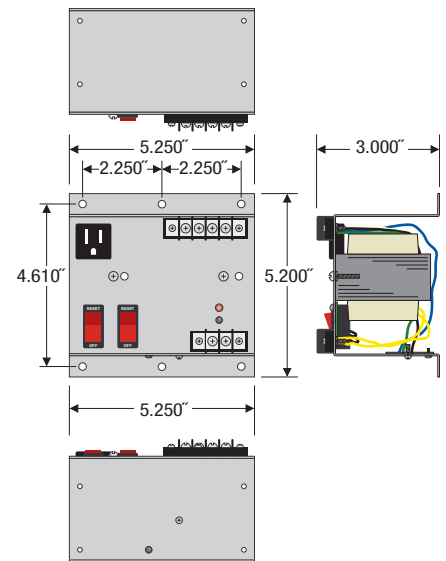


SPECIFICATIONS

- Transformer: One 40 VA Split-Bobbin
- Primary: 120 Vac
- Secondary: 24 Vac, w/ LED Indicator
- Frequency: 50/60 Hz
- Over Current Protection: Inherently Limited
- 24 Vac ON/OFF: On / Off Switch
- Main Breaker ON/OFF: **Switch / Breaker (10 Amp)**
(Kills power to entire unit: Outlet, Aux. Output, and Transformer)*
Total Combined Output 9A
- Mounting: Panel mount
- Approvals: Class II UL Listed, UL916, C-UL, CE, RoHS
- Dimensions: 5.200" x 5.250" x 3.750"
- Weight: 2.18 lbs.



Notes:
» *Move internal jumper to "HOT" position if you wish outlets to always be hot otherwise outlets will be switched by main breaker.



PSB100AB10

AC POWER SUPPLY
Panel Mount 100 VA Power Supply, 120 to 24 Vac

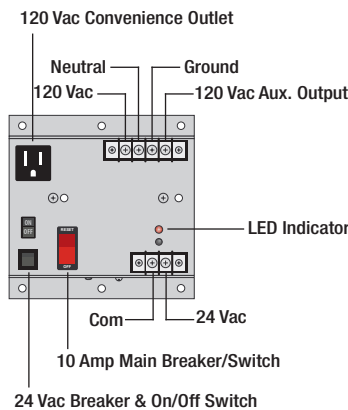


Available with Terminal Cover as Model PSB100AB10-TC

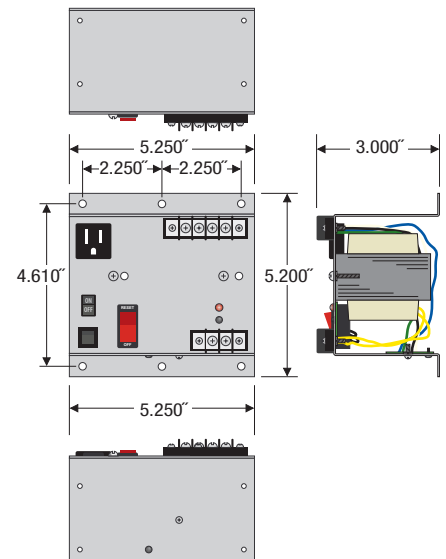


SPECIFICATIONS

- Transformer: One 100 VA Split-Bobbin
- Primary: 120 Vac
- Secondary: 24 Vac, w/ LED Indicator
- Frequency: 50/60 Hz
- Over Current Protection: Circuit Breaker
- 24 Vac ON/OFF: On / Off Switch & Breaker
- Main Breaker ON/OFF: **Switch / Breaker (10 Amp)**
(Kills power to entire unit: Outlet, Aux. Output, and Transformer)*
Total Combined Output 9A
- Mounting: Panel mount
- Approvals: Class II UL Listed, UL916, C-UL, CE, RoHS
- Dimensions: 5.200" x 5.250" x 3.750"
- Weight: 3.58 lbs.



24 Vac Breaker & On/Off Switch



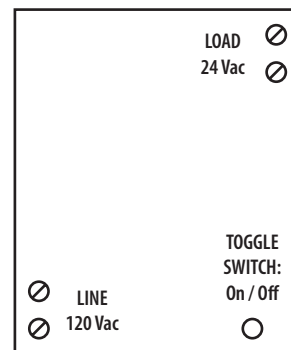
PSMN40AS

AC POWER SUPPLY
2.75" or 3.25" Track Mount 40 VA Power Supply, 120 to 24 Vac, with Switch



SPECIFICATIONS

- Transformers: One 40 VA
- Primary: 120 Vac
- Secondary: 24 Vac, isolated
- Frequency: 50/60 Hz
- Overload Protection: Inherently limited
- Operating Temperature: -30 to 140° F
- Status: LED On = Activated
- Dimensions: 2.000" x 2.750" x 3.250"
- Track Mount: 2.750"
- MT212-4 Mounting Track Supplied
- Weight: 1.60 lbs.
- ON/OFF Switch: 2 Position Toggle
- Approvals: Class II UL Listed, UL916, C-UL, CE, RoHS



PSMN500A

AC POWER SUPPLY

Sub-Panel Mounted 500VA Power Supply with Five 100VA Class II Outputs, 480/277/240/120 Vac to 24 Vac



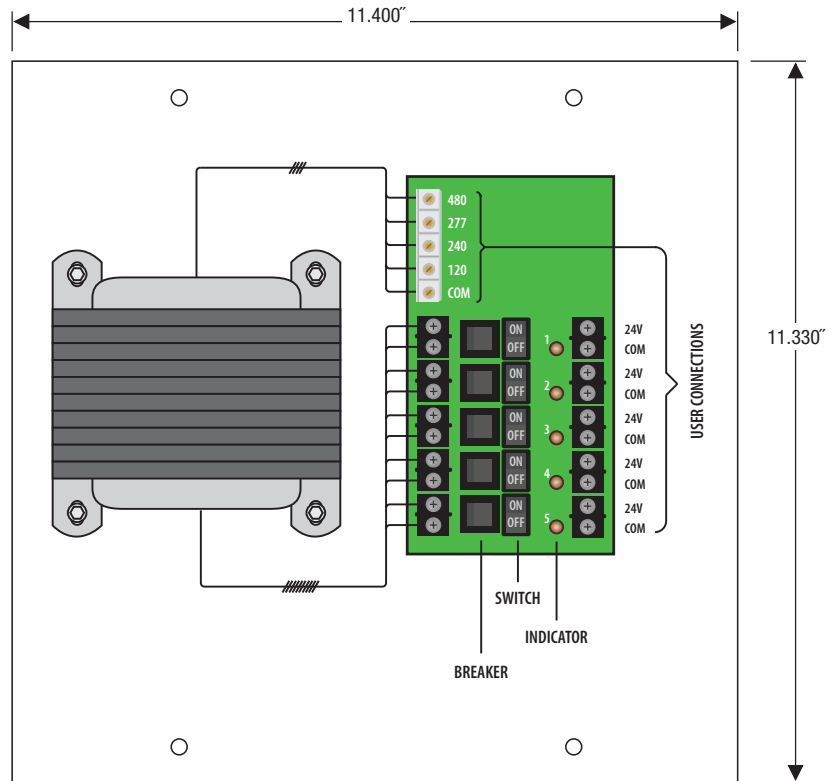
SPECIFICATIONS

- Transformer:** One (1) 500 VA
- Over Current Protection:** Circuit Breaker
- Frequency:** 50/60 Hz
- Primary:** 480/277/240/120 Vac
- 5 Secondaries:** 24 Vac, with LED Indicators
- 24 Vac ON/OFF:** On / Off Switch & Breaker
- Dimensions:** 11.330" x 11.400" x 5.000"
- Approvals:** Class II UL Listed, UL916, C-UL, CE, RoHS
- Sub-Panel:** Plenum Rated Polymetal Sub-Panel
- Weight:** 20.60 lbs.
- Input:** 480/277/240/120 Vac Terminals, 10-26 AWG
- Output:** 5 Isolated 100 VA Class II 24 Vac Terminals, 12-26 AWG

Ambient Temperature Derating:

4A up to 40° C ; 3A up to 50° C ; 2A up to 55° C
(When All 5 Outputs Operated Simultaneously)

Standby Wattage:	Full Load Primary Current:
48.515 W @ 120 Vac	4.66 A @ 120 Vac
48.699 W @ 240 Vac	2.41 A @ 240 Vac
49.564 W @ 277 Vac	2.06 A @ 277 Vac
48.255 W @ 480 Vac	1.17 A @ 480 Vac



PSP24DA

DC POWER SUPPLY

Enclosed **Non-Isolated** Linear DC Power Supply, 24 Vac to 1.5-28 Vdc Adjustable Output



SPECIFICATIONS

- Voltage Input:** 24 Vac, full-wave rectified
- Voltage Output:** 1.5 - 28 Vdc **non-isolated**
- Frequency:** 50/60 Hz
- Overload Protection:** Electrical and Thermal, Auto-Reset
- Operating Temperature:** -30 to 140° F
- Status:** LED On = Activated
- Dimensions:** 2.30" x 3.20" x 1.80" with .50" NPT nipple
- Wires:** 16", 600V Rated
- Weight:** .30 lbs.
- ON/OFF Switch:** None
- Approvals:** Class II UL Listed, UL916, C-UL, CE, RoHS

Output Current Ratings:

- 116 mA @ 10 Vdc
- 125 mA @ 12 Vdc
- 300 mA @ 24 Vdc

Input Current Rating:

550 mA Maximum

Percent Ripple:

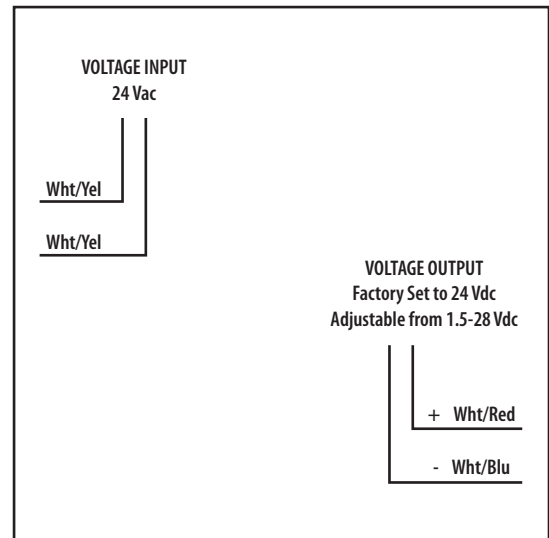
0.0016%, 24 Vdc @ 300 mA

Regulation:

Load: 0.04% No Load to Full Load
Line: 0.0125 V/V

Notes:

- » Requires a separate ungrounded transformer when used in conjunction with 1/2 wave rectified power supplies, grounded 24 Vac transformers, or when 24 Vac and 24 Vdc are connected in common.



PSMN24DA

DC POWER SUPPLY

2.75" Track Mount **Non-Isolated** Linear DC Power Supply, 24Vac to 1.5-28 Vdc, 300 mA Adjustable Output, without Switch



Output Current Ratings:

116 mA @ 10 Vdc
125 mA @ 12 Vdc
300 mA @ 24 Vdc

Input Current Rating:

550 mA Maximum

Percent Ripple:

0.0016%, 24 Vdc @ 300 mA

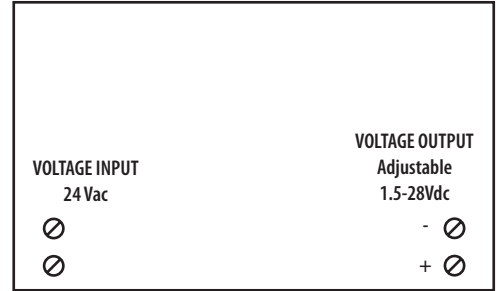
Regulation:

Load: 0.04% No Load to Full Load
Line: 0.0125 V/V

Notes:

» Requires a separate ungrounded transformer when used in conjunction with 1/2 wave rectified power supplies, grounded 24 Vac transformers, or when 24 Vac and 24 Vdc are connected in common.

» See also supplementary model PSMN40AS



SPECIFICATIONS

Voltage Input: 24 Vac, full-wave rectified
Voltage Output: 1.5 - 28 Vdc **non-isolated**
Frequency: 50/60 Hz
Overload Protection: Electrical and Thermal, Auto-Reset
Operating Temperature: -30 to 140° F
Status: LED On = Activated
Dimensions: 1.500" x 2.750" x 1.750"
Track Mount: 2.750"
MT212-2 Mounting Track Supplied
Weight: 0.20 lbs.
ON/OFF Switch: None
Approvals: Class II UL Listed, UL916, C-UL, CE, RoHS

PSMN24DAS

DC POWER SUPPLY

2.75" Track Mount **Non-Isolated** Linear DC Power Supply, 24Vac to 1.5-28 Vdc, 300 mA Adjustable Output, with Switch



Output Current Ratings:

116 mA @ 10 Vdc
125 mA @ 12 Vdc
300 mA @ 24 Vdc

Input Current Rating:

550 mA Maximum

Percent Ripple:

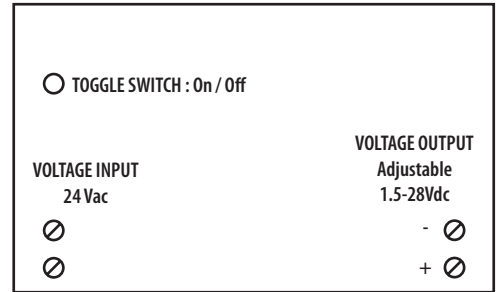
0.0016%, 24 Vdc @ 300 mA

Regulation:

Load: 0.04% No Load to Full Load
Line: 0.0125 V/V

Notes:

» Requires a separate ungrounded transformer when used in conjunction with 1/2 wave rectified power supplies, grounded 24 Vac transformers, or when 24 Vac and 24 Vdc are connected in common.



SPECIFICATIONS

Voltage Input: 24 Vac, full-wave rectified
Voltage Output: 1.5 - 28 Vdc **non-isolated**
Frequency: 50/60 Hz
Overload Protection: Electrical and Thermal, Auto-Reset
Operating Temperature: -30 to 140° F
Status: LED On = Activated
Dimensions: 1.500" x 2.750" x 1.750"
Track Mount: 2.750"
MT212-2 Mounting Track Supplied
Weight: 0.20 lbs.
ON/OFF Switch: 2 Position Toggle
Approvals: Class II UL Listed, UL916, C-UL, CE, RoHS

PSM20A12DAS

DC POWER SUPPLY

4.00" & 2.75" Track Mount **Isolated** Linear DC Power Supply, 24 Vac to 1.5-12Vdc, 300 mA Adjustable Output



Output Current Ratings:

300 mA @ 12 Vdc

Input Current Rating:

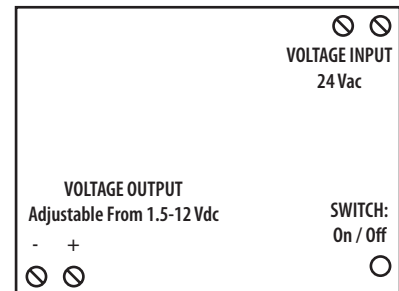
950 mA Maximum

Percent Ripple:

0.0016%, 12 Vdc @ 300 mA

Regulation:

Load: 0.04% No Load to Full Load
Line: 0.0080 mV/V



SPECIFICATIONS

Voltage Input: 24 Vac
Voltage Output: 1.5 - 12 Vdc Isolated
Frequency: 50/60 Hz
Overload Protection: Electrical and Thermal, Auto-Reset
Operating Temperature: -30 to 140° F
Status: LED On = Activated
Dimensions: 1.625" x 2.750" x 4.000"
Track Mount: 4.000" and 2.750"
MT212-4 Mounting Track Supplied
Weight: 1.10 lbs.
ON/OFF Switch: 2 Position
Approvals: Class II UL Listed, UL916, C-UL, CE, RoHS



PSM24A24DAS

DC POWER SUPPLY

4.00" & 2.75" Track Mount Isolated Linear DC Power Supply, 24 Vac to 1.5-28 Vdc, 300 mA Adjustable Output



Output Current Ratings:

116 mA @ 10 Vdc
125 mA @ 12 Vdc
300 mA @ 24 Vdc

Input Current Rating:

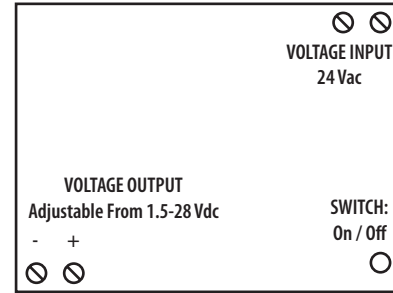
950 mA Maximum

Percent Ripple:

0.0016%, 24 Vdc @ 300 mA

Regulation:

Load: 0.04% No Load to Full Load
Line: 0.0080 mV/V



SPECIFICATIONS

Voltage Input: 24 Vac
Voltage Output: 1.5 - 28 Vdc Isolated
Frequency: 50/60 Hz
Overload Protection: Electrical and Thermal, Auto-Reset
Operating Temperature: -30 to 140° F
Status: LED On = Activated
Dimensions: 1.625" x 2.750" x 4.000"
Track Mount: 4.000" and 2.750"
MT212-4 Mounting Track Supplied
Weight: 1.10 lbs.
ON/OFF Switch: 2 Position
Approvals: Class II UL Listed, UL916, C-UL, CE, RoHS

PSM19A24DAS

DC POWER SUPPLY

4.00" & 2.75" Track Mount Isolated Linear DC Power Supply, 120 Vac to 1.5-28 Vdc, 300 mA Adjustable Output



SPECIFICATIONS

Voltage Input: 120 Vac
Voltage Output: 1.5 - 28 Vdc Isolated
Frequency: 50/60 Hz
Overload Protection: Electrical and Thermal, Auto-Reset
Operating Temperature: -30 to 140° F
Status: LED On = Activated
Dimensions: 1.625" x 2.750" x 4.000"
Track Mount: 4.000" and 2.750"
MT212-4 Mounting Track Supplied
Weight: 1.10 lbs.
ON/OFF Switch: 2 Position
Approvals: Class II UL Listed, UL916, C-UL, CE, RoHS

Output Current Ratings:

116 mA @ 10 Vdc
125 mA @ 12 Vdc
300 mA @ 24 Vdc

Input Current Rating:

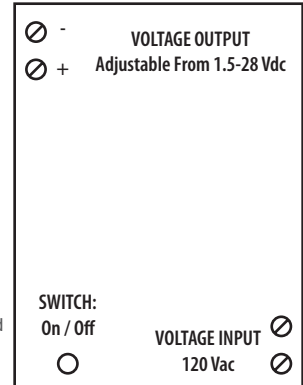
150 mA Maximum

Percent Ripple:

0.0016%, 24 Vdc @ 300 mA

Regulation:

Load: 0.04% No Load to Full Load
Line: 0.6250 mV/V



PSMN40A24DS

DC POWER SUPPLY

2.75" Track Mount Isolated Linear DC Power Supply, 120 Vac to 24 Vdc, 1 Amp



SPECIFICATIONS

Voltage Input: 120 Vac
Voltage Output: 24 Vdc Isolated
Frequency: 50/60 Hz
Overload Protection: Electrical and Thermal, Auto-Reset
Operating Temperature: -30 to 140° F
Status: LED On = Activated
Dimensions: 2.000" x 2.750" x 5.000"
Track Mount: 2.750"
MT212-6 Mounting Track Supplied
Weight: 1.50 lbs.
ON/OFF Switch: 2 Position
Approvals: Class II UL Listed, UL916, C-UL, CE, RoHS

Output Current Ratings:

1 A @ 24 Vdc

Input Current Rating:

400 mA Maximum

Percent Ripple:

0.0016%, 24 Vdc @ 1 A

Regulation:

Load: 0.50% No Load to Full Load
Line: 25.0000 mV/V

