

PSH300A

AC POWER SUPPLY

Enclosed 300VA Power Supply with Three 100VA Class II Outputs, 480/277/240/120 Vac to 24 Vac

Shown With Cover



Shown Without Cover



3 Secondaries:
24 Vac, with LED Indicators

24 Vac ON/OFF:
On / Off Switch & Breaker

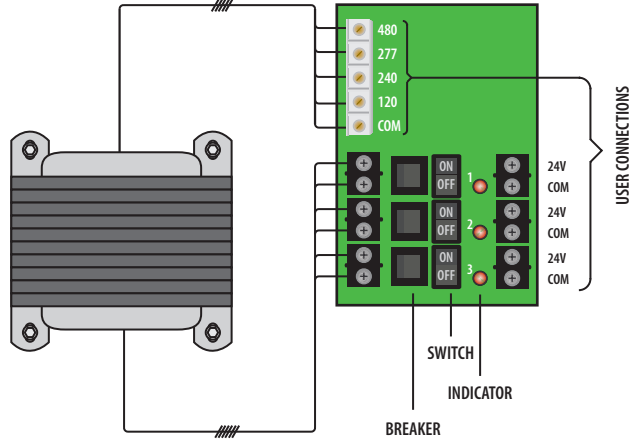
Input:
480/277/240/120 Vac Terminals, 10-26 AWG

Output:
3 Isolated 100 VA Class II 24 Vac Terminals, 12-26 AWG

Standby Wattage:
16.61 W @ 120 Vac
17.70 W @ 240 Vac
16.26 W @ 277 Vac
19.20 W @ 480 Vac

Full Load Primary Current:
2.66 A @ 120 Vac
1.36 A @ 240 Vac
1.18 A @ 277 Vac
0.68 A @ 480 Vac

Ambient Temperature Derating:
4A up to 40° C ; 3A up to 50° C ; 2A up to 55° C
(When All 3 Outputs Operated Simultaneously)



SPECIFICATIONS

- Transformer:** One (1) 300 VA
- Over Current Protection:** Circuit Breaker
- Primary:** 480/277/240/120 Vac
- Frequency:** 50/60 Hz
- Dimensions:** 12.125" x 12.125" x 6.000"
- Approvals:** Class II UL Listed, UL916, C-UL, CE, RoHS
- Housing:** NEMA1 Metal Enclosure
- Weight:** 18.08 lbs.

Notes:
» May order MH3100-M1 and PSMN300A separately.

PSMN300A

AC POWER SUPPLY

Sub-Panel Mounted 300VA Power Supply with Three 100VA Class II Outputs, 480/277/240/120 Vac to 24 Vac

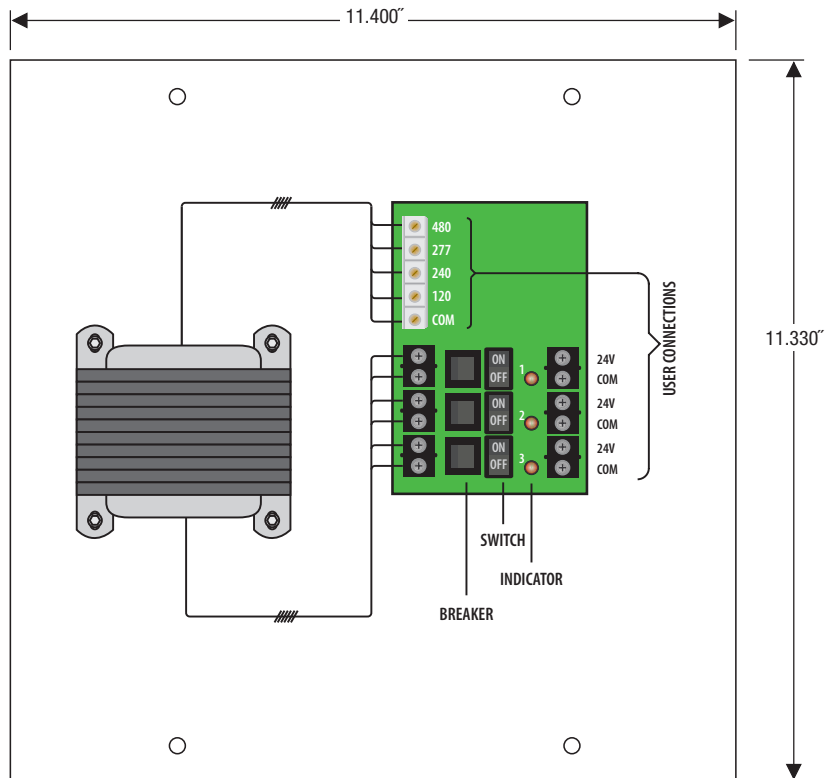


SPECIFICATIONS

- Transformer:** One (1) 300 VA
- Over Current Protection:** Circuit Breaker
- Frequency:** 50/60 Hz
- Primary:** 480/277/240/120 Vac
- 3 Secondaries:** 24 Vac, with LED Indicators
- 24 Vac ON/OFF:** On / Off Switch & Breaker
- Dimensions:** 11.330" x 11.400" x 4.500"
- Approvals:** Class II UL Listed, UL916, C-UL, CE, RoHS
- Sub-Panel:** Plenum Rated Polymetal Sub-Panel
- Weight:** 12.38 lbs.
- Input:** 480/277/240/120 Vac Terminals, 10-26 AWG
- Output:** 3 Isolated 100 VA Class II 24 Vac Terminals, 12-26 AWG

Ambient Temperature Derating:
4A up to 40° C ; 3A up to 50° C ; 2A up to 55° C
(When All 3 Outputs Operated Simultaneously)

Standby Wattage:	Full Load Primary Current:
16.61 W @ 120 Vac	2.66 A @ 120 Vac
17.70 W @ 240 Vac	1.36 A @ 240 Vac
16.26 W @ 277 Vac	1.18 A @ 277 Vac
19.20 W @ 480 Vac	0.68 A @ 480 Vac



PSH100A100A SERIES

AC POWER SUPPLY
Enclosed Dual 100 VA Power Supplies, 120 to 24 Vac



SPECIFICATIONS

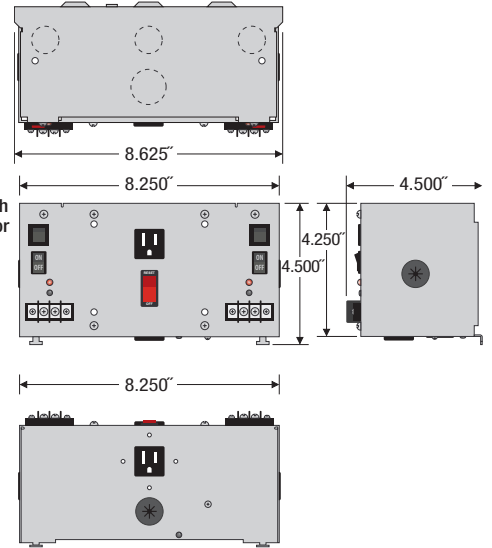
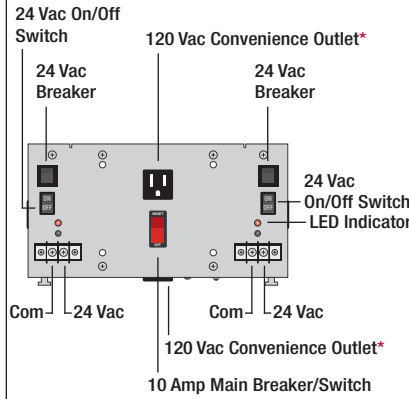
Transformer: Two 100 VA Split-Bobbin
Over Current Protection: Circuit Breaker

Input Wires: "B10" Models Only
Input Power Wires
BLK: 120 Vac
WHT: Neutral
GRN: Ground

All Other Models **Outlet Wires**
Primary Wires
BLK: 120 Vac
WHT: Neutral
GRN: Ground

Output Wires: "B10" Models Only **"W" Models Only**
Auxiliary Output **Transformer Output**
BLU: 120 Vac WHT/YEL: 24 Vac
WHT/BLU: Common

Frequency: 50/60 Hz
24 Vac ON/OFF: On / Off Switch & Breaker
Main Breaker ON/OFF: Switch / Breaker (10 Amp)
(Kills power to entire unit: Outlets, Aux. Output, and Transformer)*
Approvals: Class II UL Listed, UL916, C-UL, CE, RoHS
Dimensions: 4.500" x 8.625" x 4.500"
Weight: 8.600 lbs.



Notes:
» *Move internal jumper to "HOT" position if you wish outlets to always be hot otherwise outlets will be switched by main breaker.

PSH100A100A Series Selection Guide

MODEL #	120 VAC OUTLETS	AUX OUTPUT WIRE	MAIN BREAKER ON INPUT POWER	SECONDARY CONFIGURATION
PSH100A100A	•			External Terminal Strip
PSH100A100AN				External Terminal Strip
PSH100A100ANW				Internal Wires
PSH100A100AW	•			Internal Wires
PSH100A100AB10*	•	•	10 Amp Switch / Breaker	External Terminal Strip
PSH100A100ANB10		•	10 Amp Switch / Breaker	External Terminal Strip
PSH100A100ANWB10		•	10 Amp Switch / Breaker	Internal Wires
PSH100A100AWB10*	•	•	10 Amp Switch / Breaker	Internal Wires

PSH500A

AC POWER SUPPLY
Enclosed 500VA Power Supply with Five 100VA Class II Outputs, 480/277/240/120 Vac to 24 Vac



SPECIFICATIONS

Transformer: One (1) 500 VA
Over Current Protection: Circuit Breaker
Primary: 480/277/240/120 Vac
Frequency: 50/60 Hz
Dimensions: 12.125" x 12.125" x 6.000"
Approvals: Class II UL Listed, UL916, C-UL, CE, RoHS
Housing: NEMA1 Metal Enclosure
Weight: 30.16 lbs.

Notes:
» May order MH3100-M1 and PSMN500A separately.

5 Secondaries:
24 Vac, with LED Indicators

24 Vac ON/OFF:
On / Off Switch & Breaker

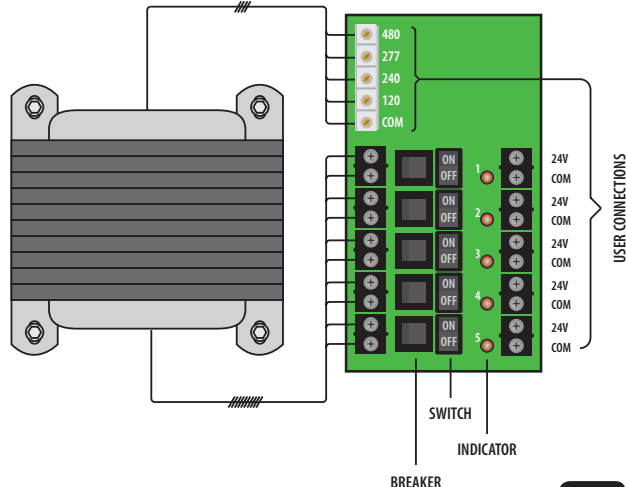
Input:
480/277/240/120 Vac Terminals, 10-26 AWG

Output:
5 Isolated 100 VA Class II 24 Vac Terminals, 12-26 AWG

Ambient Temperature Derating:
4A up to 40° C ; 3A up to 50° C ; 2A up to 55° C
(When All 5 Outputs Operated Simultaneously)

Standby Wattage:
48.515 W @ 120 Vac
48.699 W @ 240 Vac
49.564 W @ 277 Vac
48.255 W @ 480 Vac

Full Load Primary Current:
4.66 A @ 120 Vac
2.41 A @ 240 Vac
2.06 A @ 277 Vac
1.17 A @ 480 Vac



PSMN500A

AC POWER SUPPLY

Sub-Panel Mounted 500VA Power Supply with Five 100VA Class II Outputs, 480/277/240/120 Vac to 24 Vac



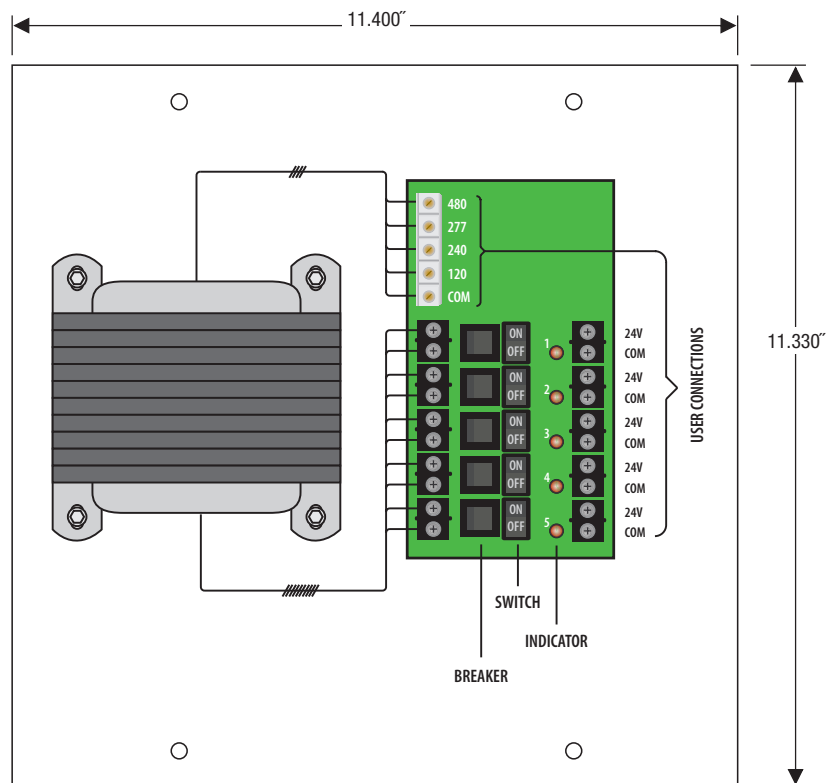
SPECIFICATIONS

- Transformer:** One (1) 500 VA
- Over Current Protection:** Circuit Breaker
- Frequency:** 50/60 Hz
- Primary:** 480/277/240/120 Vac
- 5 Secondaries:** 24 Vac, with LED Indicators
- 24 Vac ON/OFF:** On / Off Switch & Breaker
- Dimensions:** 11.330" x 11.400" x 5.000"
- Approvals:** Class II UL Listed, UL916, C-UL, CE, RoHS
- Sub-Panel:** Plenum Rated Polymetal Sub-Panel
- Weight:** 20.60 lbs.
- Input:** 480/277/240/120 Vac Terminals, 10-26 AWG
- Output:** 5 Isolated 100 VA Class II 24 Vac Terminals, 12-26 AWG

Ambient Temperature Derating:

4A up to 40° C ; 3A up to 50° C ; 2A up to 55° C
(When All 5 Outputs Operated Simultaneously)

Standby Wattage:	Full Load Primary Current:
48.515 W @ 120 Vac	4.66 A @ 120 Vac
48.699 W @ 240 Vac	2.41 A @ 240 Vac
49.564 W @ 277 Vac	2.06 A @ 277 Vac
48.255 W @ 480 Vac	1.17 A @ 480 Vac



PSP24DA

DC POWER SUPPLY

Enclosed **Non-Isolated** Linear DC Power Supply, 24 Vac to 1.5-28 Vdc Adjustable Output



SPECIFICATIONS

- Voltage Input:** 24 Vac, full-wave rectified
- Voltage Output:** 1.5 - 28 Vdc **non-isolated**
- Frequency:** 50/60 Hz
- Overload Protection:** Electrical and Thermal, Auto-Reset
- Operating Temperature:** -30 to 140° F
- Status:** LED On = Activated
- Dimensions:** 2.30" x 3.20" x 1.80" with .50" NPT nipple
- Wires:** 16", 600V Rated
- Weight:** .30 lbs.
- ON/OFF Switch:** None
- Approvals:** Class II UL Listed, UL916, C-UL, CE, RoHS

Output Current Ratings:

- 116 mA @ 10 Vdc
- 125 mA @ 12 Vdc
- 300 mA @ 24 Vdc

Input Current Rating:

550 mA Maximum

Percent Ripple:

0.0016%, 24 Vdc @ 300 mA

Regulation:

Load: 0.04% No Load to Full Load
Line: 0.0125 V/V

Notes:

- » Requires a separate ungrounded transformer when used in conjunction with 1/2 wave rectified power supplies, grounded 24 Vac transformers, or when 24 Vac and 24 Vdc are connected in common.

